

GML-2230M

54.6 cm (21.5") LCD/TFT Monitor LED Backlight

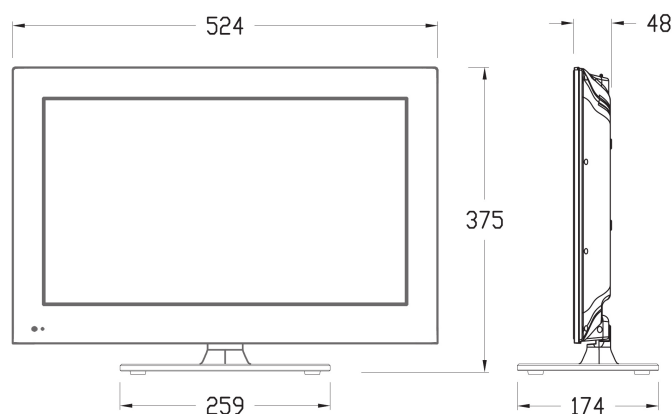


- Full-HD TFT-LCD monitor
- Displays a full, flat 21,5" (54.6 cm) diagonal image
- LED Backpanel illumination
- Energy-saving (green technology)
- 2 CVBS looped, 1 HDMI, VGA video inputs

SPECIFICATIONS

LCD Panel size	21,5" Diagonal AM-TFT LED Backlight
Pixels - Total	1920(H) x 1080(V)
Pixel Pitch	0.248 mm(H) x 0.248 mm(V)
Video Standard	PAL/NTSC
Video Inputs	2 CH Composite, BNC, Looped 1 HDMI, 1 CH VGA
Audio Inputs	3 CH (stereo),(1xHDMI, 1xCinch (L/R), 1xTRS Connector)
Brightness	300 cd/m ²
Contrast ratio	10.000:1
Number of Colours	16.7 million
Viewing Angle	160°(H) ~ 170°(V)
Response Time	5 ms
Screen Mode	16:9, 4:3
Speaker Output	3W (2x1.5W built-in)
OSD	Yes, multi language
PIP	On/Off
PBP	On/Off
MTBF at 25° C	> 100,000 hours
Operating Temperature	0°C ~ +40°C
Humidity	10 ~ 90% no condensation
Storage Temperature	-10°C ~ +60°C
Suitable for	VESA 100
Supply Voltage	12VDC, (100~240VAC, 50/60Hz)
Power Consumption	25 W
Weight	3.6 kg
Dimensions w*h*d	524 x 375 x 175 mm

DIMENSIONS



FRONT VIEW

