

GCA-B3326V

1/3" CCD Col/B&W Fixed Dome Camera w/ IR LED



- 700 TV Lines (colour), 750 TV Lines (B/W) excellent high horizontal resolution
- High Sensitivity of 0,1 Lux
- High Light Compensation (Conversion of peaklight into greyscale)
- Varifocal Lens: f = 2.8 - 11 mm, auto iris
- ATR (Adaptive Tone-curve Reproduction) Pixel-to pixel based tone-curve correction optimizes the contrast of image similar to WDR. ATR mode makes low luminance area brighter and high luminance area darker.
- Removable IR CUT Filter (ICR) for high IR sensitivity at night mode
- 0 Lux: Integrated LED IR Illuminator
- Power Input AC24V/DC12V

SUMMARY

Grundig Analogue DSP Cameras

High quality, reliable and effective.

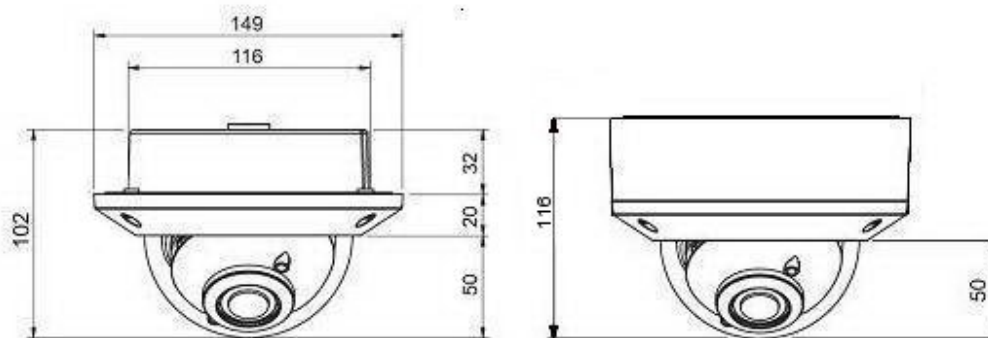
Grundig analogue cameras have been designed and built to the very highest standards. Grundig has selected components which deliver outstanding image quality, including the very best image sensors and digital signal processors (DSPs). The cameras have been designed for up-to-date surveillance applications, incorporating functionality such as extended dynamic range, digital noise reduction, high light compression and more.

All the cameras in the Grundig analogue range have unique features in different housings to suit all eventualities. Outdoor options include Bullet cameras with infrared LED and vandal-resistant domes and indoor options include a large range of dome cameras

SPECIFICATIONS

Image Sensor	1/3" CCD Sony 960H Ex-view HAD II
Scanning System	PAL, 50Hz, 625L (V), 2:1 Inter Line Transfer
Pixels - Effective	976(H) x 582(V)
Resolution	700 (H) lines colour, 750 (H) lines b&w
Col/B&W	Auto, IR-cut filter removable (ICR)
Sensitivity Colour	0.1 Lux (50IRE) @ F1.2
Sensitivity B&W	0 Lux LED IR on
S/N Ratio	>52dB (AGC off)
Lens Drive Type	Auto iris (DC)
Lens Focal Length	2.8 ~ 11 mm
Number of Privacy Zones	8 programmable zones and if MONITORE AREA set to ON in the motion Det. menu 4 programmable zones.
High Speed Shutter	1/50 ~ 1/100.000 sec, auto
BLC	BLC / HLC / off
AGC	Off, On (x0.25/x0.5/x0.75/x1)
Digital Noise Reduction (DNR)	Off, On 2D
Additional Features	H Reverse, High Light Compensation
Motion Detection	On/Off
OSD	Yes (DE,EN,ES,FR,RU,PT,JP)
Camera ID	52 character, 2 lines
White Balance	ATW/PUSH/Anti CR/Manual/User 1/User 2
IR LED	36 pcs.
Optical Wavelength	850 nm
Max. IR Distance	15/30 m (according to scene reflexion)
Protection Rating	IP66 / IK10
Video Outputs	1 CVBS 1 Vpp (BNC) & 1 test monitor out
Humidity	less than 90%
Operating Temperature	-10°C ~ +50°C
Supply Voltage	12 VDC/24 VAC
Power Consumption	2.4 (5.8 LED on) W
Weight	1.1 kg
Dimensions w*h*d	Ø 152 x 116 mm

DIMENSIONS



ACCESSORIES



GBR-WA01
Wall bracket for GCA-BxxxxV series



GHT-24V
Fan/Heater kit for GCA-xxxxV series



GBR-VC01S
Smoked dome cover for GCA-BxxxxV



GBR-WB01
Wedge Base for GCA-BxxxxV Serie