

- Full D1, Colour/B&W speed Dome Camera (720x576)
- 36x motorized optical zoom with 12x digital zoom
- WDR function, Colour/B&W function with removable IR cut filter
- Vandal Resistant Dome (IK10)
- Weatherproof Outdoor Installation (IP66)
- H.264 Main Profile compression mode (dual codec, 25 fps max)
- ONVIF protocol support
- Micro SD/SDHC memory card slot for alarm and schedule image recording
- High Speed Pan/Tilt (400°/sec), minimum speed (0.5°/sec)
- Bidirectional Audio Support



GRUNDIG

Specifications

GCI-C0745P

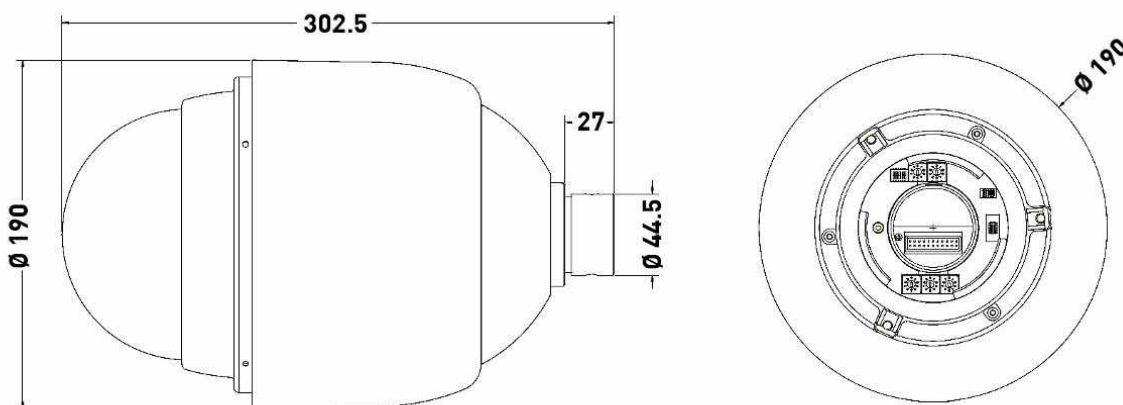
Image Sensor:	1/4" CCD (Super HAD 2 CCD)
Digital Signal Processor (DSP):	Sony EFFIO DSP solution
Pixels - total:	795 x 596
Sensitivity:	0.1 lux (Colour) / 0.01 lux (B&W)
Resolution:	650(H) lines
S/N Ratio:	50 dB
Pan Speed:	Manual: 0.5°/s ~ 90°/s, Preset: 400°/s (max.)
Tilt Speed:	Manual: 0.5°/s ~ 90°/s, Preset: 400°/s (max.)
Range Panning:	360° endless
Range Tilting:	-10° ~ 190°
Number of Preset:	256
Number of Pattern:	8
Focal Length:	3.4 ~ 122.4 mm
Zoom Ratio:	x 36
Lens Drive Type:	DC auto iris, manual iris
Number of Privacy Zones:	16
Col/B&W:	On/Off/Auto, IR-cut filter removable (ICR)
Digital Zoom:	Off/1 ~ 12x
BLC:	On/Off + WDR
Camera ID:	20 character
White Balance:	Auto / Manual

Design and specifications are subject to change without notice

Shutter Speed:	1 sec to 1/10,000 sec
Video Outputs:	1 CVBS, 1Vpp, BNC
OSD:	Yes
Alarm Inputs:	4
Alarm Outputs:	1
Web Browser:	MS Internet Explorer 6.0 (or higher)
Video Compression:	Dual stream: H.264+H.264, H.264+MJPEG
Audio Compression:	G.726 ADPCM
Video Resolution:	D1 (720x576), CIF (352x288)
Network Protocol:	TCP/UDP/IP, HTTP, FTP, SMTP, ARP, ICMP, DHCP, Telnet, RTP/RTSP
SD memory:	Micro SD/SDHC
Alarm Event:	Alarm Input, Motion Detection or Schedule: Image transfer FTP, E-mail, recording on SD-card, Preset, Sequence, Auto pan
Firmware Upgrade:	Firmware upgrade by Web Browser
Operating Temperature:	-45°C ~ +50°C
Supply Voltage:	24 VAC
Regulation:	CE, FCC, RoHS Compliant
Power Consumption:	65 W
Weight:	2.6 kg
Dimensions (wxhxd):	Ø 190 X 302.5 mm

Dimensions

GCI-C0745P



Design and specifications are subject to change without notice