



GRUNDIG

- 2 Megapixels Full HD, Colour/B&W Camera (1920 x 1080)
- Vandal Resistant Dome
- H.264 & MJPEG compression modes (max. 25 fps)
- ONVIF protocol support
- Lens: f = 4 mm
- Micro SD/SDHC memory card slot for alarm and schedule image recording

Specifications

GCI-K0512W

Image Sensor:	1/2.7" CMOS Omnivision, 2 megapixel
Pixels - total:	1920(H) x 1080(V), Full HD
Sensitivity:	0.1 lux @ F1.6
Lens Mount:	M12 Board Lens
Lens Focal Length:	4 mm
Viewing Angle:	78°
Motion Detection:	On/Off
Camera ID:	20 character
White Balance:	ATW, AWB, Manual
Shutter Speed:	1 sec to 1/10,000 sec
Web Browser:	MS Internet Explorer 6.0 (or higher)
Number of Clients:	Up to 20 users
Video Compression:	Dual stream: H.264+H.264, H.264+MJPEG
Video Resolution:	Full HD 1920 x 1080 (25 fps), 720P 1280 X 720 (2x25 fps)
Network Protocol:	TCP/IP, UDP, RTP, RTSP, HTTP, ICMP, FTP, SMTP, DHCP, PPPoE, UPnP and IGMP
SD memory:	Micro SD/SDHC
Alarm Event:	Motion Detection or Schedule: Image transfer FTP, E-mail, recording on SD-card
Firmware Upgrade:	Firmware upgrade by Web Browser
Configuration:	Upload & Download configuration on remote PC
Input/Output sockets:	RJ-45, Micro SD Card Slot
Operating Temperature:	-20°C ~ +50°C

Design and specifications are subject to change without notice

Regulation: CE, FCC, RoHS Compliant

Supply Voltage: PoE IEEE 802.3af

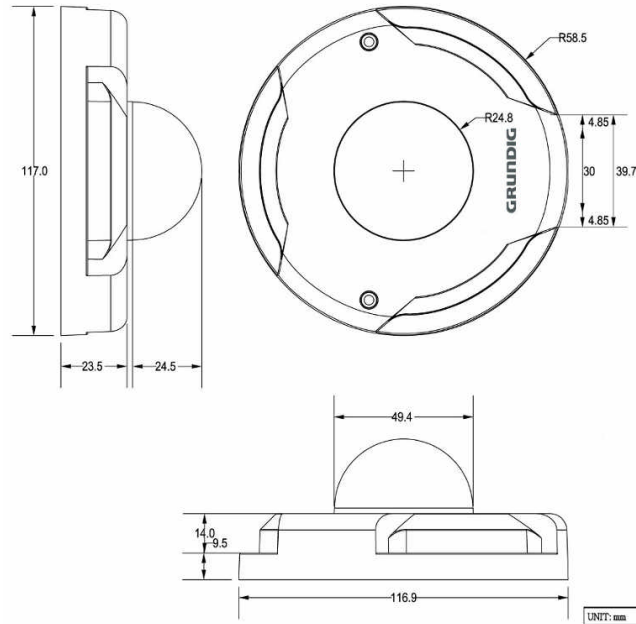
Power Consumption: 3.8 W

Weight: 0.18 kg

Dimensions (wxhxd): 110 x 50 x 110 mm

Dimensions

GCI-K0512W



Design and specifications are subject to change without notice