

## Owner's Manual

### Cameras & Domes

---

GBR-WA01      Wall bracket

---

GBR-WA01.9.1.13.10.2010

© ASP AG



Design and specifications are subject to change without notice

---

---

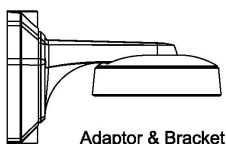
## Content:

<b>1. Package Contents</b>	<b>1</b>
<b>2. Installation</b>	<b>1</b>
1. Installation Remarks	1
2. Mounting	2

---

## 1. Package Contents

These parts are included:



L-Wrench Torx



Rubber Pipe Cap



Pipe Cap Driver



Pipe Cap(2pcs)



Plastic Dowel  
(4pcs)



Screw #8x38  
(4pcs)



Screw M5x20  
(3pcs)



Screw M4x10  
(4pcs)



Screw M4x14  
(4pcs)



Instruction  
Manual

## 2. Installation

### 2.1. Installation Remarks

Install the mount onto a strong structure such as a concrete wall, steel beam, etc.

Avoid installing the mount onto an unstable structure such as a gypsum wall panel.

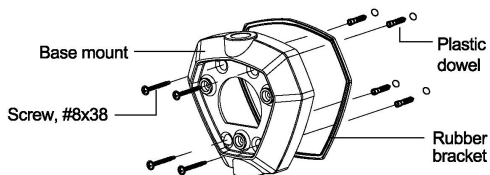
When installing the mount on to concrete only use specific concrete screws and plugs, all the screw parts must be metallic.

When installing the mount on to wood avoid screwing too close to the edge of a piece of wood.

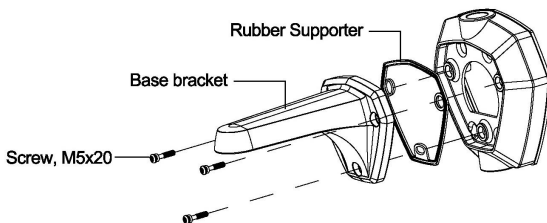
---

## 2.2. Mounting

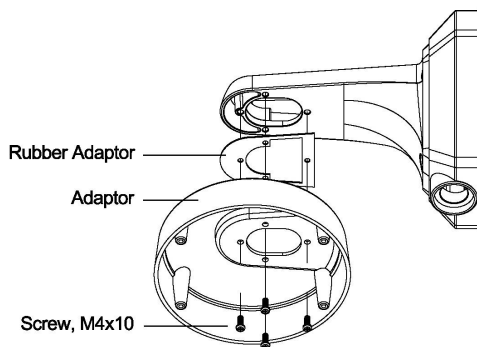
1. Insert the cable into the base mount and then fix it onto the wall.



2. Assemble the base bracket on the fixed base mount.

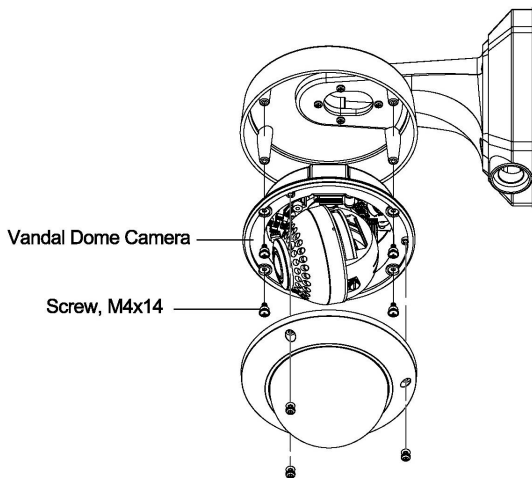


3. Take out the camera cable through the assembled mount and then assemble the adaptor with a rubber adaptor.



---

4. Connect the vandal dome camera. (Refer to the vandal dome camera instruction manual for camera connection.)



---

---

## Specifications GBR-WA01

Suitable for	GCA-B0322V, GCA-B1323V, GCA-B0325V, GCA-B0323V
Body material	Die cast aluminium
Colour	Shiny white
Weight	0.9 kg
Dimensions (wxhxd)	168.5 x 152 x 252 mm

---

## Dimensions

---

