

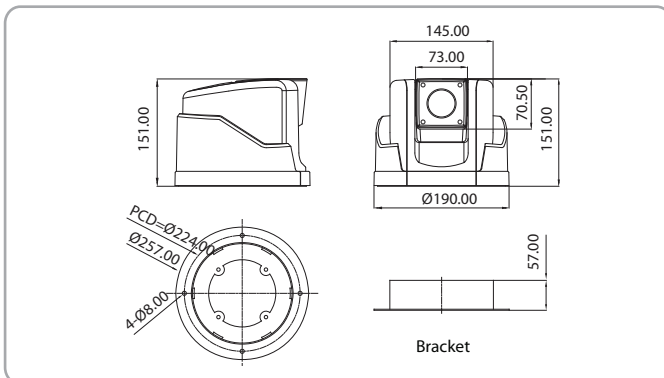


FEATURES

- 1/4" 740K pixel Super HAD CCD
- High-powered Sony 26x optical zoom, Digital 12x zoom
- Digital Image Stabilizer
- Specially useful for Police car and other special application
- Endless Pan rotation(-45° to 90° Tilt angle)
- Up to 63 programmable preset
- less than ±0.1° Preset Accuracy
- 8 programmable Tour, 4 Pattern
- Alarm - Move the camera to programmed Preset position with Alarm trigger.(Max. 2)
- 4 Scan(Programmable speed and diagonal scan)
- Programmable Privacy Masking(2 Zones)
- RS-422, RS-485 communication
- Multiple protocol (Pelco-D, Pelco-P, Wonwoo)
- Built-in Menu System for Setup of Programmable Functions
- Mechanical Auto Flip
- Programmable Zoom Speed(Optional Update tool)
- DC 12V, 3A
- IP65
- E-mark for Vehicle Application

DIMENSIONS

Unit : mm



Design and specification are subject to change without notice.

SPECIFICATIONS

MECHANICAL	
Pan	360° Endless Pan 0.1° to 100°/sec.
Pan Preset Speed	110°/sec, ± 0.1° Accuracy
Tilt	-45° to 90° tilt angle (64steps proportional to zoom)
Tilt Preset Speed	60°/sec, ± 0.05° Accuracy
Weight	4kg
Dimensions	190(Ø) x 151(H) mm

ENVIRONMENTAL	
Construction	Aluminum
Color	Black or Cool Gray
Operating Temp	-20°C to 50°C (Fan&Heater power ON)
Humidity	0% to 90%

FUNCTIONS	
Preset	63 points less than 0.1° accuracy
Tour	8 programmable
Pattern	4 patterns
Flip	Mechanical / Auto / Off (Rotate 180° at bottom of tilt)
Auto Scan	4 (programmable speed and diagonal scan)
Privacy Zone	2 blocks with title (Masking / Video off)
Address	Up to 255 selectable ID (Rotary switch)
Data Communication	RS-485 / RS-422
Protocol	Multiple protocol
Baud rate	2400 / 38400 bps, Automatic
Alarm In	2 alarm (NO/NC, Priority)
Alarm Out	2 relay out (Hold, Latch)
Display	Zone title on/off (start / end zone)

ELECTRICAL	
Power	DC 15V, 50/60Hz, 3A (Power adaptor not included)
Consumption	18.0 W (1.0A Max.)
Fan & Heater	42W

LIGHT BAR SPECIFICATION	
Rated Voltage	DC 12V
Rotation Number of Reflector	80 ~ 120 / Mins

CERTIFICATION	
CE, FCC CLASS A, RoHS	

OPTIONAL(LCS-261)



WCC-E261

Rugged PTZ Camera

CAMERA SELECTION

MODEL	WCC-E261N	WCC-E261P
Image Sensor	1/4" Inch Sony Super HAD CCD	
Effective Pixels	Approx. 680K	Approx. 800K
Horizontal Resolution	470TV Lines	
Minimum Illumination	0.7 lx (Typical, 30 IRE)	
	0.05 lx (ICR mode)	
	0.001 lx (DSS B/W mode)	
Lens	Optical 26x, digital 12x Zoom	
	f=3.5mm (Wide) to 91.0mm (Tele), F1.6 to F3.8	
S/N ratio	More than 50dB	
Pan	Angle	0 ~ 360° (Endless)
	Manual Speed	More than 100°/sec
	Preset Speed	More than 120°/sec
Tilt	Angle	-45° to 60°
	Manual Speed	More than 60°/sec
On-Screen Display	Camera ID, Camera name, Area name and Preset number	
Auto Swing	Max. 4 Pan Swing (2 Position Swing)	
Preset	63 positions	
Guard Tour	4 Tours, Consisting of 63 presets and functions	
ID(Camera Address)	0 ~ 255 address	
Control	RS-485, Baud rate : 2400 / 38400bps, Automatic	
Construction	Die-cast Aluminum & "O"-Ring sealed.	
	All internal parts are corrosion protected epoxy powder coating.	
Power	DC 15V 50/60Hz 3A	
Operating Temperature	-20°C to 50°C (Heater power ON)	
Humidity	30 to 90%RH (Non-condensing)	
Dimensions / Weight	190(Ø) x 151(H) mm / 4kg	
Certification	CE, FCC, IP65, E-mark	

APPLICATION

This stable and reliable design makes ideal for car application such as traffic monitoring, car surveillance, because it has Aluminum die-casting body and Image Stabilizer function.



CABLE CONNECTION

