

SeeEyes[®] Series

[SC-VCD0001]

One channel coaxial video transmission system, SC-VCD0001 is composed of SC-VTD0001 transmitter and SC-VRD0001 receiver. As SC-VTD0001 and SC-VRD0001 located between camera and DVR, it is possible to transmit video and bi-directional data (RS-485) such as ACK and Alarm signal to long distance without diminution.

Features

- "Video + Data" transmission over 1 coaxial cable
- Bi-directional data communication (Half Duplex, T.Block)
- Various application with bi-directional data communication via separated alarm in/out port
- Long distance transmission up to Max. 500m (With RG6)
- No need data wiring & save infrastructure cost
- Built-in distance level switch for optimum video quality
- Installation improvement (cost saving 25~30%)
- Maintain high quality video & interference immunity
- Easy of installation with BNC harness
- Surge & lightning protection
- AC24V/12V Power Input

Specifications

MODEL	SC-VTD0001(Tx.)
Video IN	CVBS 1.0Vp-p, 75Ω Term.
Power	AC24V, DC12V/ 200mA
Data work	Tx. : Green / Rx. : Yellow
Max. distance	600m with RG6
Connect Port	Video In : BNC-M Harness
	Power In : 2PIN Terminal Block
	DATA: RS-485/ Half Duplex T.Block
	Alarm In/Out : Input 1CH/Output 1CH
Temperature / Humidity	-10℃ ~ +50℃ / 0 ~ 80%
Casebody / Weight	Aluminum / 100g
Dimension(mm)	76(W) x 42(H) x 25(D)

MODEL	SC-VRPD0001(Rx.)
Video Out	CVBS 1.0Vp-p, 75Ω Term.
Power	AC24V / DC12V / 150mA
Data work	Tx. : Green / Rx. : Yellow
Max. distance	600m with RG6
Connect Port	Video In : BNC-F, Video Out : BNC-M Harness
	DATA: RS-485 / Half Duplex T.Block
	Alarm In/Out : Input 1CH/Output 1CH
	RF In : BNC-F
Temperature / Humidity	-10℃ ~ +50℃ / 0 ~ 80%
Casebody / Weight	Aluminum / 130g
Dimension(mm)	75(W) x 60(H) x 25(D)

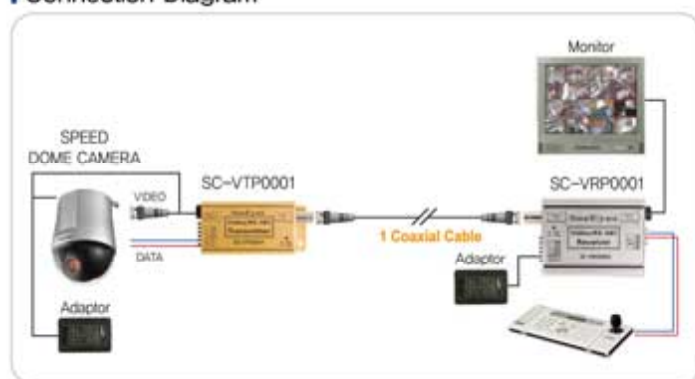
[SC-VTD0001]



[SC-VRD0001]

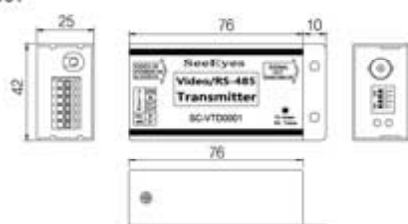


Connection Diagram



Dimensions

SC-VTD0001



SC-VRD0001

