

# SeeEyes® Series

## [ SC-VCP1501 ]

One channel coaxial video transmission system, SC-VCP1501 is composed of SC-VTP1501 transmitters and SC-VRP1501 receiver. They are designated to comply with cameras, which consuming the higher power (up to 15W), such as IR camera, mini P/T/Z camera, etc.

### Features

- Compatible with most IR cameras (15W)
- "Video & Power" transmission over 1 coaxial cable
- Maintain high quality video & excellent interference immunity
- Long distance transmission up to Max 1Km (With RG11)
- No need power wiring & save infrastructure cost
- Installation improvement (cost saving 25~30%)
- Easy of installation with BNC harness
- Surge protection function

### Specifications

MODEL	SC-VTP1501(Tx.)
Video IN	CVBS 1.0Vp-p, 75Ω Term.
Power Out	For Camera /DC12V, 1.3A
Bandwidth	8MHz
Max. distance	1Km with Standard RG11 cable (Loop R 30Ω under)
Connect Port	Video In : BNC-M Harness
	Power Out : DC-M, RF Out : BNC-F
Temperature / Humidity	-10°C ~ +50°C / 0 ~ 80%
Casebody / Weight	Aluminum / 140g
Dimension(mm)	75(W) x 60(H) x 25(D)

MODEL	SC-VRP1501(Rx.)	
Video Out	CVBS 1.0Vp-p, 75Ω Term.	
Power Out	AC/DC Adaptor +48V 1.0A	
Bandwidth	8MHz	
Max. distance	AUTO	
Status LED	RED LIGHT ON : WORKING, RED LIGHT FLICKERING : CHECK	
Connect Port	Video Out : BNC-M Harness	
	RF In : BNC-F	
Temperature / Humidity	-10°C ~ +50°C / 0 ~ 80%	
Casebody / Weight	Aluminum / 130g	
Dimension(mm)	75(W) x 60(H) x 25(D)mm	
ADAPTOR	Electric	DC +48V/ 1.0A
	Dimension	116(W) x 49.5(H) x 31(D)

[ SC-VTP1501 ]



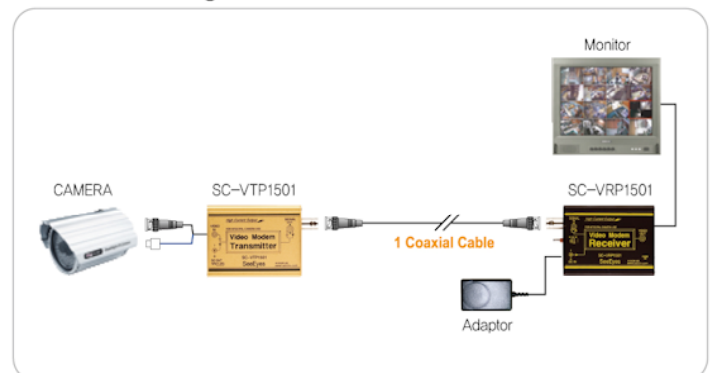
[ SC-VRP1501 ]



[ Adaptor ]



### Connection Diagram



### Dimensions

