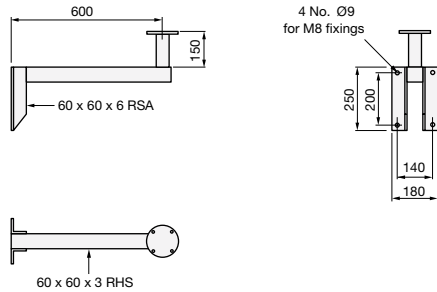


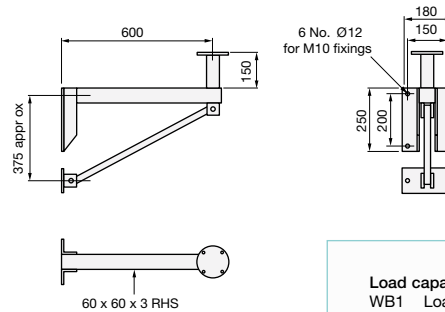
Flat Wall Mounted Bracketry

All brackets for camera mounting have a 127Ø mounting plate with 8 no Ø8.5 equi - spaced on 101.6 PCD

WB1

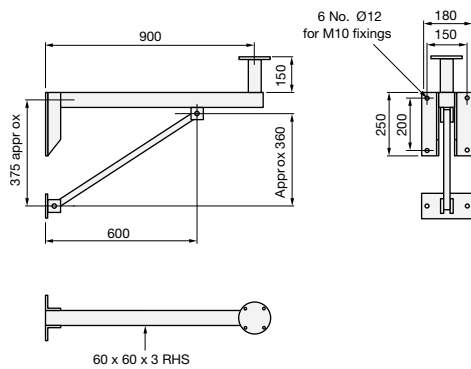


WB2

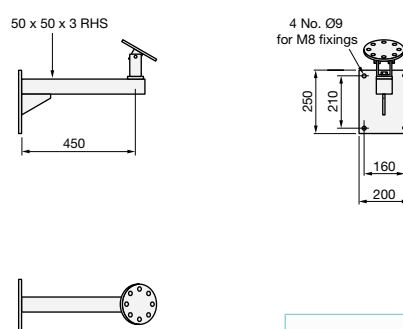


Load capacities
 WB1 Load capacity 35kgs
 WB2 Max load capacity 50kgs

WB2-900

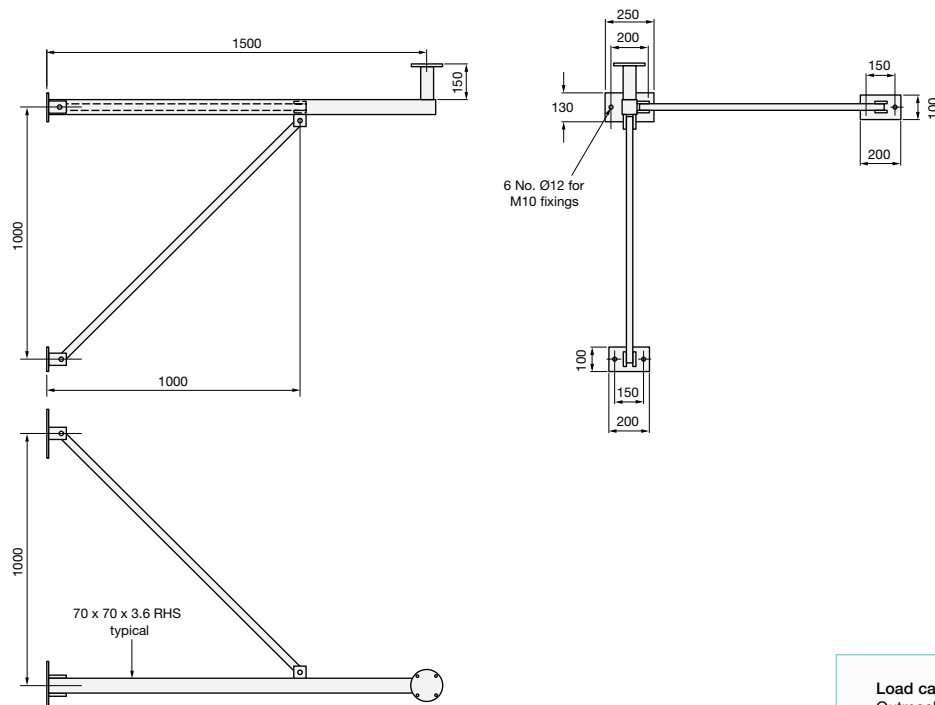


WB1-F



Load capacities
 WB2-900 Max load capacity 35kgs
 WB1-F Load capacity 30kgs

Extended wall bracket AW1705



Load capacity 35kgs
 Outreaches available upto 2.5 metres

Part No.
 Incorporates outreach
 e.g. 2 metre - AW1705/2000