

AW1545 Cabinet Based Pole

Technical Specification

AW1545

Model No.	Height In metres A	Pole Ø B	Payload eqpt capacity	Recom. max eqpt windload* m ²	Cabinet height above ground S	Base plate size H		Holding down bolt centres		Holding down bolt size		300° CAB pole weight	350° CAB pole weight	400° CAB pole weight	450° CAB pole weight	500° CAB pole weight	600° CAB pole weight
						300° CAB	400° CAB	300° CAB	400° CAB	300° CAB	400° CAB						
AW1545/4	4	168	75kgs	0.75m ²	1200	510 ²	630 ²	450 ²	550 ²	M20 x 300	M24 x 300	151	164	189	202	215	228
AW1545/5	5	168	75kgs	0.75m ²	1200	510 ²	630 ²	450 ²	550 ²	M20 x 300	M24 x 300	173	186	211	224	237	250
AW1545/6	6	168	75kgs	0.75m ²	1200	510 ²	630 ²	450 ²	550 ²	M20 x 300	M24 x 300	217	230	255	268	281	294
AW1545/7	7	168	60kgs	0.60m ²	1200	510 ²	630 ²	450 ²	550 ²	M20 x 300	M24 x 300	244	257	282	295	308	321
AW1545/8	8	168	75kgs	0.50m ²	1200	510 ²	630 ²	450 ²	550 ²	M20 x 300	M24 x 300	271	284	309	322	335	348
AW1545/8HD	8	219	75kgs	0.75m ²	1200	510 ²	630 ²	450 ²	550 ²	M24 x 400	M24 x 400	302	315	340	353	366	379
AW1545/9	9	219	56kgs	0.60m ²	1200	630 ²	630 ²	550 ²	550 ²	M24 x 400	M24 x 400	-	398	411	424	437	450
AW1545/10	10	219	50kgs	0.50m ²	1600	630 ²	630 ²	550 ²	550 ²	M24 x 400	M24 x 400	-	467	480	500	520	540
AW1545/10HD	10	273	75kgs	0.75m ²	1600	-	800 ²	-	700 ²	M27 x 600	M27 x 600	-	-	-	620	640	660
AW1545/12	12	273	75kgs	0.75m ²	1600	-	800 ²	-	700 ²	M27 x 600	M27 x 600	-	-	-	706	726	746
AW1545/15	15	273	50kgs	0.50m ²	1600	-	800 ²	-	700 ²	M27 x 600	M27 x 600	-	-	-	835	855	875

AW1545 Tilt Down

Model No.	Height In metres A	Pole Ø B	Payload eqpt capacity	Recom. max eqpt windload* m ²	Cabinet height above ground S	400 - 500° CAB	400 - 500° CAB	400 - 500° CAB	Pole rear clearance when tilting F	300° CAB pole weight	350° CAB pole weight	400° CAB pole weight	450° CAB pole weight	500° CAB pole weight	600° CAB pole weight
AW1545/4 TD	4	168	75Kgs	0.75m ²	1800	630 ²	550 ²	M24 x 300	1350	318	344	370	396	422	468
AW1545/6 TD	6	168	60Kgs	0.75m ²	1800	630 ²	550 ²	M24 x 300	1350	358	384	410	436	462	508
AW1545/8 TD	8	219	50Kgs	0.75m ²	1800	630 ²	550 ²	M24 x 300	1350	466	472	498	524	550	596
AW1545/10 TD	10	219	30Kgs	0.50m ²	2150	630 ²	550 ²	M24 x 400	1850	-	-	626	6565	686	736
AW1545/12 TD	12	219	20Kgs	0.50m ²	2450	630 ²	550 ²	M24 x 400	2150	-	-	678	713	748	803

Options

Options	PT No.
Decorative banding	/B
Screw in Swanneck adaptor	/SN
Double door	/DD
Double door with washer bottle conduit	/DD/W
Access cover plate and cable restraining bar	/AC
Cabinet base size	/300
Cabinet base size	/350
Cabinet base size	/400
Cabinet base size	/450
Cabinet base size	/500
Cabinet base size	/600
Full convection venting	/V
High security locks	/HS
Altron locks in 4-point arrangement	/A4P
Altron locks in lieu of standard locks	/AL
Flush locks	/FL
Winch Part No's	
Use With	Winch
AW1545/4-7m inclusive	DW1000/45
AW1545/7-9m inclusive	DW1500/45
AW1545/10-12m inclusive	DW2500/45

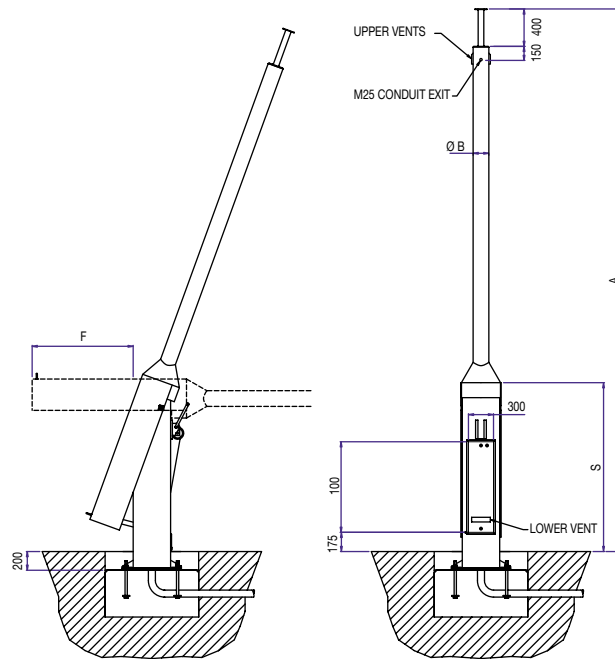
Example Part No.
AW1545/10/SN/350/V

All camera mounting plates are DIA 127 with 8 No Ø 8.5 equi-spaced on 101.6 PCD.
Ø 40 thro' column spacer

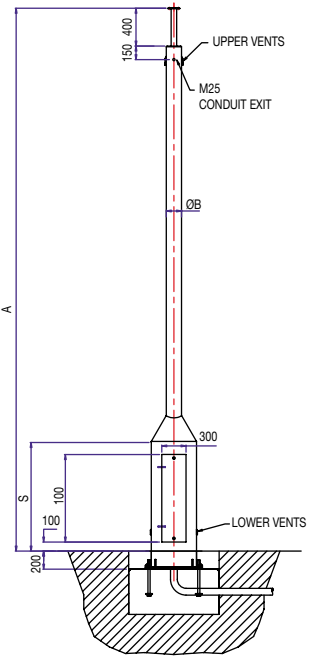
For accessories refer to page 43

BASE SIZES ON PAGE 64

AW1545 TD



AW1545

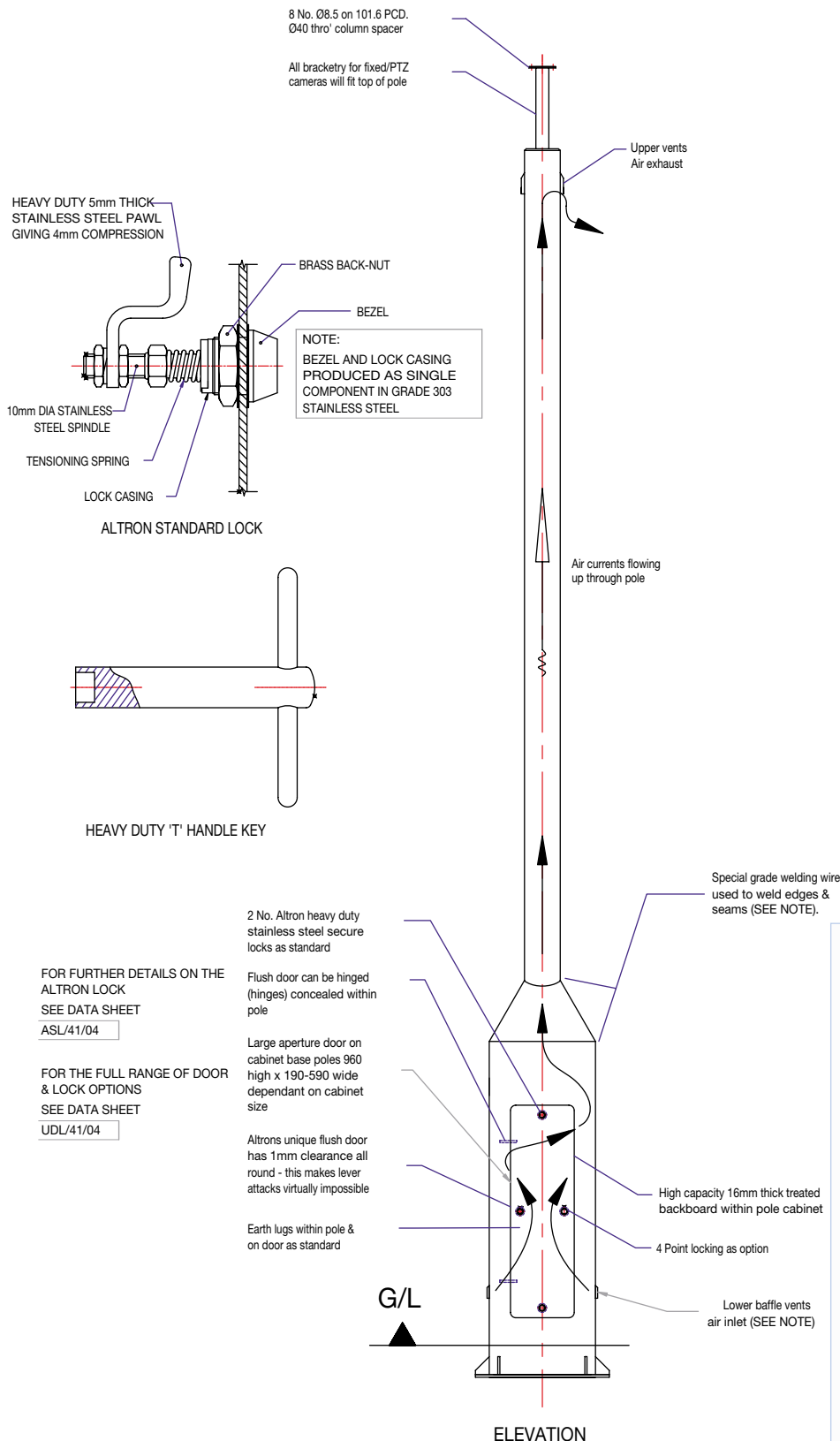


Pole is fixed in the vertical position using 2 no. bolts and locked with internal nuts - has the facility to be padlocked internally to stop unauthorised tilting.

Poles complete with treated equipment mounting board inside compartment. Earthing lugs within pole & on door

Features of Urban Highway Poles

These Features in Equipment & Construction are Common Across the Range



FOR FURTHER DETAILS ON THE ALTRON LOCK SEE DATA SHEET ASL/41/04

FOR THE FULL RANGE OF DOOR & LOCK OPTIONS SEE DATA SHEET UDL/41/04

CONVECTION VENTING

Air within pole is warmed - either by equipment within pole or by solar gain - warm air rises up pole & draws cool air through lower vents - this cools equipment and limits condensation.

SPECIAL GRADE WELDING WIRE

When seam welding with standard welding wire after grinding flush a build up of galvanising occurs on the weld seam in the galvanising process known as weld growth. To stop this unsightly seam or the need to dress down (sometimes this dressing goes through the galvanising to bare metal) Altron uses a special grade of wire which does not cause weld growth, therefore improving the galvanising finish.

BAFFLE VENTS

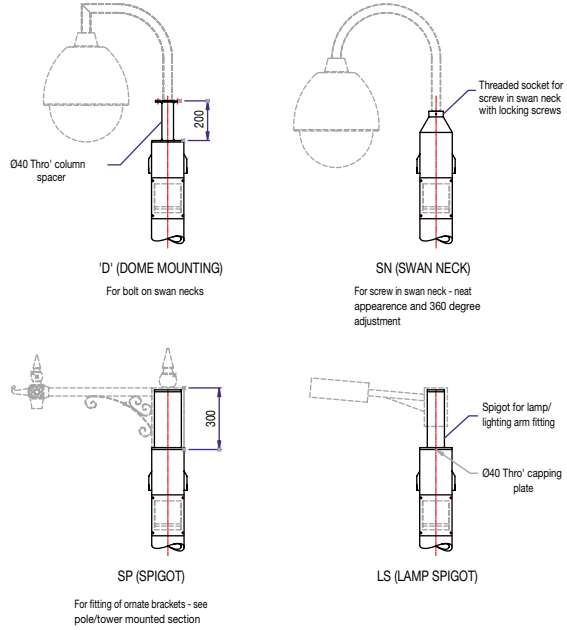
A labyrinth type baffle inlet vent is used as standard - this stops water ingress (jets of water from all directions) but more importantly stops flammable liquid from being squirted into the pole cabinet.

Please note - that the flush doors and baffle venting to IP55 are being phased in at time of going to print and are not yet standard to all products.

Options of Urban Highway Poles

HEAD OPTIONS

AVAILABLE FOR 02 45 45TD 75 75TD



8 No. Ø8.5 on 101.6 PCD.
Ø40 thro' column spacer
All bracketry for fixed/PTZ cameras will fit top of pole

CABLE RESTRAINT BAR & ACCESS COVER.
Cover shown removed
02 45 45TD 75 75TD

02 45 45TD 75 75TD

Ornate Features
Banding as shown
Cast Embellishments
400mm square cabinet = ENEK
500mm square cabinet = TNEK/ENEK
SEE ORNATE POLE SECTION

Upper (exhaust) vents
Nickel plated brass conduit elbow M25/M32

CABLE OUTLET
Ø25 as standard
OPTIONS
2x25 threaded.
1x32 threaded.
02 45 45TD 75 75TD

CLAMP ON BRACKETRY for cameras fixed/ PTZ lighting/PIR's/signage
02 45 45TD 75 75TD
SEE POLE/TOWER MOUNTED SECTION

Spiked anti-climb guards. anti climb paint.
02 45 45TD 75 75TD

PAINT FINISHES over galvanising up to primer to coats in BS/RAL No's
(ALL POLE TYPES)

WASHER CONDUIT internal with separate door for washer bottle. 45

LOCK OPTIONS
2 No. Altron Secure locks as standard.
uniquely coded security lock to give pole/site exclusive security.
4 Point Altron secure locking
THE ALTRON SECURE LOCK CAN BE PROVIDED AS A FLUSH MOUNTED OPTION
AVAILABLE ON ALL POLES
45 45LTH 75TD **HINGED DOOR**

BAFFLE & CIRCULATING FAN
45 45TD 75 75TD

HEATER OPTION
ON ALL POLES

Cabinet options
Earth lugs within pole & on door as standard

Venting as standard (IP55)
45 45LTH 45TD 75 75TD

DUST FILTERS for within pole cabinet increase IP rating to IP65
45 45LTH 45TD 75 75TD

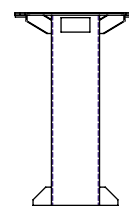
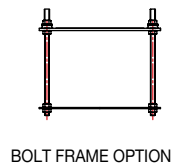
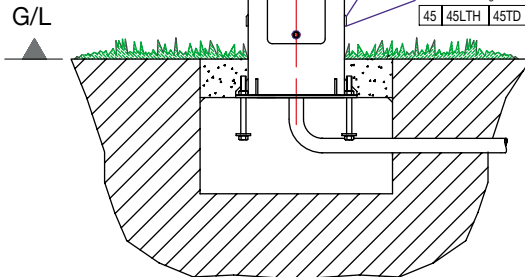
CABINET OPTIONS

300² 45
350² 45
400² 45 45TD 45LTH
450² 45
500² 45 45TD 45LTH
600² 45 19" Rack mounting option on this cabinet size

SECOND FULL SIZE DOOR 02 45 45LTH 75

'HOLDING DOWN' OPTIONS

Bolt frame option in lieu of standard anchor bolts & template.
Chemical fixings.
Buried flange for embedded base option.
REFER TO BASE INSTALLATION METHODS FOR FURTHER DETAILS



KEY FOR POLE TYPE ABBREVIATIONS

- 02 = AW1502
- 02LTH = AW1502/LTH
- 45 = AW1545
- 45LTH = AW1545/LTH
- 45TD = AW1545/TD
- 75 = AW2075
- 75TD = AW2075/TD

Please note - that flush doors and baffle venting to IP55 is being phased in at time of going to print and are not yet standard to all products.