

AW1859 Tubular Tilt Down Pole

Technical Specification

AW1859

Model No.	Height in metres	Payload eqpt capacity	Max eqpt windload m ²	Pole Ø B	Post size D	Post height C	Pole rear clearance when tilting F	Door width E	Base plate size H	Holding down bolt centres I	Holding down bolt size	Weight kgs
AW1859/4	4	60kgs	0.75m ²	139	150 ²	1700	1800	140	405 ²	350 ²	M16x200	142
AW1859/5	5	60kgs	0.75m ²	139	150 ²	1700	1800	140	405 ²	350 ²	M16x200	160
AW1859/6	6	50kgs	0.50m ²	139	150 ²	1700	1800	140	405 ²	350 ²	M16x200	178
AW1859/7	7	40kgs	0.30m ²	139	150 ²	1700	1800	140	405 ²	350 ²	M16x200	196
AW1859/8	8	50kgs	0.50m ²	168	180 ²	2000	2200	170	510 ²	450 ²	M20x300	242
AW1859/9	9	35kgs	0.25m ²	168	180 ²	2000	2200	170	510 ²	450 ²	M20x300	264
AW1859/9HD	9	60kgs	0.75m ²	193	200 ²	2700	2900	190	630 ²	550 ²	M24x400	325
AW1859/10	10	60kgs	0.60m ²	193	200 ²	2700	2900	190	630 ²	550 ²	M24x400	370
AW1859/11	11	50kgs	0.30m ²	193	200 ²	2700	2900	190	630 ²	550 ²	M24x400	415
AW1859/12	12	40kgs	0.25m ²	193	200 ²	2700	2900	190	630 ²	550 ²	M24x400	460

AW1859 Poles are available in heights up to 16m - please contact us for further details.

Options

PT No.

Tamper Switch	/TS
Access Cover Plate and Cable Restraining Bar	/AC
Decorative Banding	/B
High Security Lock	/HS
Screw in Swan neck Adaptor	/SN
Padlock	/APL
Winch Part No's	
Use With	Winch
AW1859/4-7m inclusive	DW1000/59
AW1859/8-9m inclusive	DW1500/59
AW1859/10-12m inclusive	DW2500/59

Example Part No.
AW1859/6/B/HS

All camera mounting plates are DIA 127 with 8 No Ø 8.5 equi-spaced on 101.6 PCD.
Ø 40 thro' column spacer

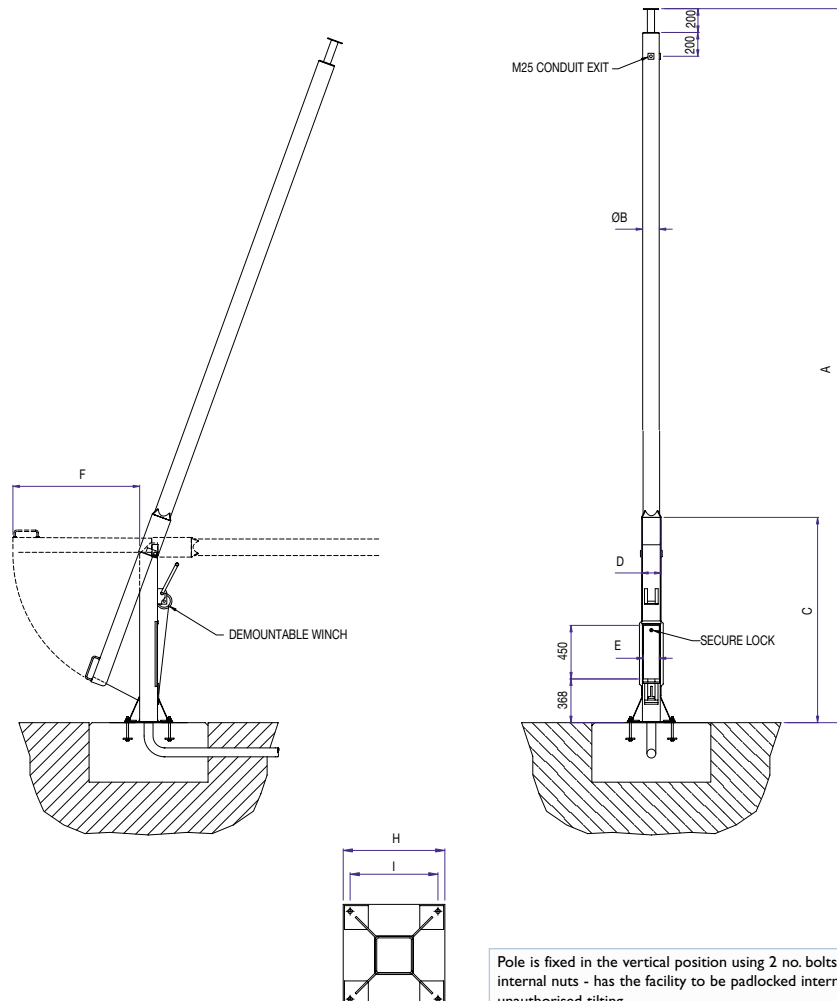
For **accessories** refer to page 43

BASE SIZES ON PAGE 64

DATA SHEETS

For further details on Embedded/Direct Burial Pole version see data sheet: 1859/EMB/41/04

AW1859



Pole is fixed in the vertical position using 2 no. bolts and locked with internal nuts - has the facility to be padlocked internally to stop unauthorised tilting.

Poles complete with treated equipment mounting board inside compartments earthing lugs within pole & on door