

# GENERAL PURPOSE CAMERA HOUSINGS, BRACKETS



## WBJA

### WALL MOUNT BRACKET

Made of aluminium

Fully adjustable swivel head

Load rating: 25kg (55lb)

Length: 285mm (11.2in)



WBJA

## WBMA

### WALL MOUNT BRACKET

Made of aluminium

Fully adjustable swivel head

Load rating: 25kg (55lb)

Length: 204mm (8in)



WBMA

## WBOVA2

### WALL MOUNT BRACKET

Made of aluminium

Fully adjustable swivel head

Internal cable management

Load rating: 25kg (55lb)

Length: 204mm (8in)

The sealing rings OWBIP2 or OWBIP3 ensure an IP66 protection to the housing



WBOVA2

## WBOV3A2

### WALL BRACKET WITH SUPPORT PLATE AND WEATHERPROOF JUNCTION BOX

Made of aluminium

Internal cable management directly to the box

Load rating: 25kg (55lb)

Length: 204mm (8in)

The sealing rings OWBIP2 or OWBIP3 ensure an IP66 protection to the housing



WBOV3A2

## WBLA

### WALL BRACKET FOR HGV

Solid, anticorrosional aluminium construction

Load rating: 70kg (154lb)

Length: 457.5mm (18,7in)



WBLA

### WCM3A

#### CEILING MOUNT

Made of steel

Fully adjustable swivel head

Load rating: 15kg (33.5lb)

Length: 300mm (11.8in)



WCM3A

### WCM4A2

#### CEILING MOUNT

Made of aluminium tube

Internal cable management

Load rating: 15kg (33.5lb)

Length: 412mm (16.2in)



WCM4A2

### WCM5A

#### CEILING MOUNT

Made of aluminium

Load rating: 15kg (33.5lb)

Length: 412mm (16.2in)

500mm (19in) linear extension available with WCPMPA

Unit weight: 1.4kg (3lb)



WCM5A

### WCPMPA

#### LINEAR EXTENSION FOR WCM4A2 AND WCM5A

It allows a 500mm (19in) extension



WCPMPA

### WFWCA

#### PARAPET BRACKET

Made of aluminium

Fully adjustable swivel head

Load rating: 15kg (33.5lb)

Length: 185mm (7.3in)



WFWCA

### DBHWGC

#### POLE MOUNT ADAPTOR

Made of steel

For pole diameters: from 210mm (8.3in) up to 225mm (8.8in)

To be combined with the reinforcing support plate WCPA

Load rating: 25kg (55lb) (static load)



DBHWGC

### WCWA

#### CORNER MOUNT ADAPTOR

Made of steel

Load rating: 30kg (66lb)



WCWA

### WSFPA

#### POLE MOUNT ADAPTOR

Made of aluminium

Load rating: 30kg (66lb)

For pole diameters: from 65mm (2.6in) up to 140mm (5.5in)



WSFPA

### WCPA

#### REINFORCING SUPPORT PLATE FOR POOR CONSISTENCY WALLS

Made of aluminium

Available with a supporting box with internal cable channel

Load rating: 50kg (110lb)



WCPA

### NXWTU

#### ADAPTER MODULE FOR OBLIQUE SURFACES

Made of AISI 316L electropolished stainless steel

Load rating: 20kg (44lb) (static load)

Dimensions: 168x234mm (6.6x9.2in)

Suitable for: NXWBS1, WBOVA2, WBJA, WBMA



NXWTU

## TECHNICAL DATA

### WBJA

#### MECHANICAL

Made of aluminium  
Fully adjustable swivel head  
Load rating: 25kg (55lb)  
Length: 285mm (11.2in)  
Unit weight: 0.6kg (1.3lb)

#### PART NUMBER

WBJA Wall mount bracket

#### PACKAGE

Model Number	Weight	Dimensions (WxHxL)	Master carton
WBJA	0.7kg (1,5lb)	7.5x12x31cm (3x5x12in)	20

### WBMA

#### MECHANICAL

Made of aluminium  
Fully adjustable swivel head  
Load rating: 25kg (55lb)  
Length: 204mm (8in)  
Unit weight: 0.5kg (1.1lb)

#### PART NUMBER

WBMA Wall bracket with ball joint

#### PACKAGE

Model Number	Weight	Dimensions (WxHxL)	Master carton
WBMA	0.6kg (1.3lb)	7.5x12x23cm (3x4.7x9in)	25

### WBOVA2

#### MECHANICAL

Made of aluminium  
Fully adjustable swivel head  
Internal cable management  
Load rating: 25kg (55lb)  
Length: 204mm (8in)  
The sealing rings OWBIP2 or OWBIP3 ensure an IP66 protection to the housing  
Unit weight: 0.6kg (1.3lb)

#### PART NUMBER

WBOVA2 Wall bracket with internal cable channel

#### PACKAGE

Model Number	Weight	Dimensions (WxHxL)	Master carton
WBOVA2	0.7kg (1,5lb)	8.5x13x22cm (3.3x5x9in)	25

### WBOV3A2

#### MECHANICAL

Made of aluminium  
Internal cable management directly to the box  
Load rating: 25kg (55lb)  
Length: 204mm (8in)  
The sealing rings OWBIP2 or OWBIP3 ensure an IP66 protection to the housing  
Unit weight: 2.4kg (5.3lb)

#### PART NUMBER

WBOV3A2 Wall bracket with internal cable channel, counterplate and support box, not compatible with OHEBVF1, OHEBVF2 and OHEBVF3

#### PACKAGE

Model Number	Weight	Dimensions (WxHxL)	Master carton
WBOV3A2	2.5kg (5.5lb)	11x19x53cm (4.3x7.5x21in)	-

### WBLA

#### MECHANICAL

Solid, anticorrosive aluminium construction  
Load rating: 70kg (154lb)  
Length: 457.5mm (18,7in)  
Unit weight: 6.6kg (14.5lb)

#### PART NUMBER

WBLA Bracket and ball joint in solid anticorrosive aluminium construction, RAL9002

#### PACKAGE

Model Number	Weight	Dimensions (WxHxL)	Master carton
WBLA	7kg (15.4lb)	27x18x49cm (10.5x7x19in)	-

### WCM3A

#### MECHANICAL

Made of steel  
Fully adjustable swivel head  
Load rating: 15kg (33.5lb)  
Length: 300mm (11.8in)  
Unit weight: 1.8kg (4lb)

#### PART NUMBER

WCM3A Ceiling bracket with ball joint

#### PACKAGE

Model Number	Weight	Dimensions (WxHxL)	Master carton
WCM3A	2.1kg (4.6lb)	13x32.5x27cm (5x13x11in)	12

## WCM4A2

### MECHANICAL

Made of aluminium

Internal cable management

Load rating: 15kg (33.5lb)

Length: 412mm (16.2in)

500mm (19in) linear extension available with WCM5A

Unit weight: 1.3kg (2.8lb)

### PART NUMBER

WCM4A2 Ceiling bracket with internal cable channel

### PACKAGE

Model Number	Weight	Dimensions (WxHxL)	Master carton
WCM4A2	1.7kg (3.7lb)	10.5x37x37cm (4x14x14in)	6

## WCM5A

### MECHANICAL

Made of aluminium

Load rating: 15kg (33.5lb)

Length: 412mm (16.2in)

500mm (19in) linear extension available with WCM5A

Unit weight: 1.4kg (3lb)

### PART NUMBER

WCM5A Ceiling bracket with ball joint

### PACKAGE

Model Number	Weight	Dimensions (WxHxL)	Master carton
WCM5A	1.7kg (3.7lb)	10.5x37x37cm (4x14x14in)	6

## WCM5A

### MECHANICAL

It allows a 500mm (19in) extension

Unit weight: 0.5kg (1.1lb)

### PART NUMBER

WCM5A Linear extension for WCM4A2 and WCM5A

### PACKAGE

Model Number	Weight	Dimensions (WxHxL)	Master carton
WCM5A	0.6kg (1.3lb)	6x6x58.5cm (2x2x23in)	-

## WFWCA

### MECHANICAL

Made of aluminium

Fully adjustable swivel head

Load rating: 15kg (33.5lb)

Length: 185mm (7.3in)

Available extension through WFWBTA

Unit weight: 0.5kg (1.1lb)

### PART NUMBER

WFWCA Column bracket with joint

### PACKAGE

Model Number	Weight	Dimensions (WxHxL)	Master carton
WFWCA	1kg (2.2lb)	14.5x15x27cm (6x6x11in)	15

## DBHWGC

### MECHANICAL

Made of steel

For pole diameters: from 210mm (8.3in) up to 225mm (8.8in)

Load rating: 25kg (55lb) (static load)

To be combined with the reinforcing support plate WCPA

Unit weight: 1.2kg (2.6lb)

### PART NUMBER

DBHWGC Pole adapter Ø 210mm, max 225mm (8.2in, max 8.9in). To be combined with the reinforcing support plate WCPA.

### PACKAGE

Model Number	Weight	Dimensions (WxHxL)	Master carton
DBHWGC	1.5kg (3.3lb)	24x15x22cm (9x6x9in)	10

## WCWA

### MECHANICAL

Made of steel

Load rating: 30kg (66lb)

### PART NUMBER

WCWA Corner mount adaptor

### PACKAGE

Model Number	Weight	Dimensions (WxHxL)	Master carton
WCWA	1.1kg (2.2lb)	14.5x15x27cm (6x6x11in)	15

## WSFPA

### MECHANICAL

Made of aluminium

Allows the internal cable management

Load rating: 30kg (66lb)

For pole diameters: from 65mm (2.6in) up to 140mm (5.5in)

Unit weight: 0.9kg (2lb)

### PART NUMBER

WSFPA Pole mount adaptor

### PACKAGE

Model Number	Weight	Dimensions (WxHxL)	Master carton
WSFPA	1kg (2.2lb)	10x16x23cm (4x6x9in)	15

## WCPA

### MECHANICAL

Made of aluminium

Available with a supporting box with internal cable channel (WBOV3A2)

Load rating: 50kg (110lb)

Unit weight: 0.6kg (1.3lb)

### PART NUMBER

WCPA Reinforcing support plate for poor consistency walls

### PACKAGE

Model Number	Weight	Dimensions (WxHxL)	Master carton
WCPA	0.7kg (1.5lb)	10x16x23cm (4x6x9in)	30

## NXWTU

### MECHANICAL

Suitable for NXWBS1, WBOVA2, WBJA, WBMA brackets

Made of AISI 316L electropolished stainless steel

Load rating: 20kg (44lb) (static load)

Screws tightening torque: 20Nm

Dimensions: 168x234mm (6.6x9.2in)

Unit weight: 2.6kg (5.7lb)

### PART NUMBER

NXWTU AISI 316L stainless steel adapter module for oblique surfaces

### PACKAGE

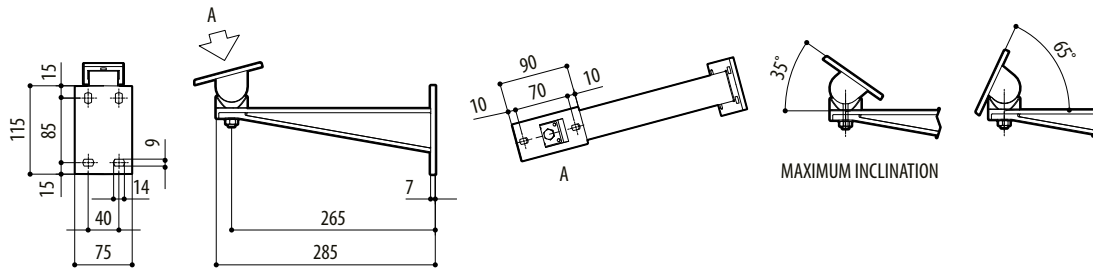
Model Number	Weight	Dimensions (WxHxL)	Master carton
NXWTU	2.8kg (6.2lb)	24x15x21cm (9.4x6x8.2in)	10

**GENERAL PURPOSE CAMERA HOUSINGS, COMPATIBILITY HOUSINGS/BRACKETS**

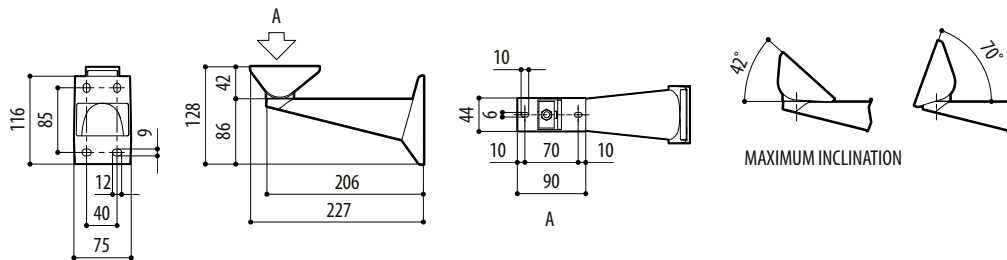
Bracket	Wall					Ceiling			Column	Pole mount adaptor		Corner adaptor	Support plate adaptor
	WBLA	WBJA	WBMA	WBOVA2	WBOV3A2	WCM3A	WCM4A2	WCM5A	FWCA	DBHWGC	WSFPA	WCWA	WCPA
HOV	-	√	-	√	√	√	√	√	√	√	√	√	√
HOV Hi-PoE IPM	-	√	-	√	√	√	√	√	√	√	√	√	√
HTV	-	√	-	√	√	√	√	√	√	√	√	√	√
PUNTO	-	√	-	√	√	√	√	√	√	√	√	√	√
PUNTO Hi-PoE	-	√	-	√	√	√	√	√	√	√	√	√	√
VERSO COMPACT	-	√	√	√	√	√	√	√	√	√	√	√	√
VERSO	-	√	-	√	√	√	√	√	√	√	√	√	√
VERSO Hi-PoE IPM	-	√	-	√	√	√	√	√	√	√	√	√	√
VERSO POLAR	-	√	-	√	√	√	√	√	√	√	√	√	√
HEG	-	√	-	-	-	-	-	√	√	√	√	√	√
HTG	-	√	-	-	-	-	-	√	√	√	√	√	√
HEK	-	-	√	√	√	√	√	√	√	√	√	√	√
HEB	-	√	√	√	√	√	√	√	√	√	√	√	√
HGV	√	-	-	-	-	-	-	-	-	-	-	-	-

**TECHNICAL DRAWINGS**

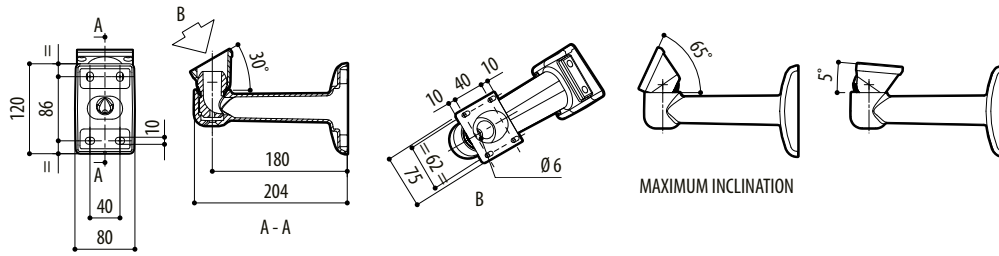
The indicated measurements are expressed in millimetres.



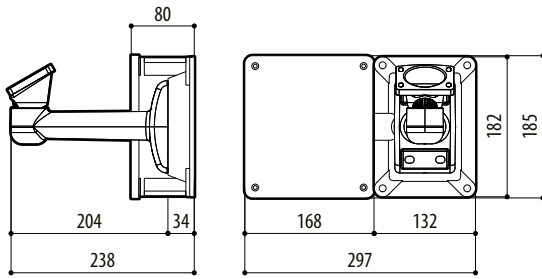
WBJA



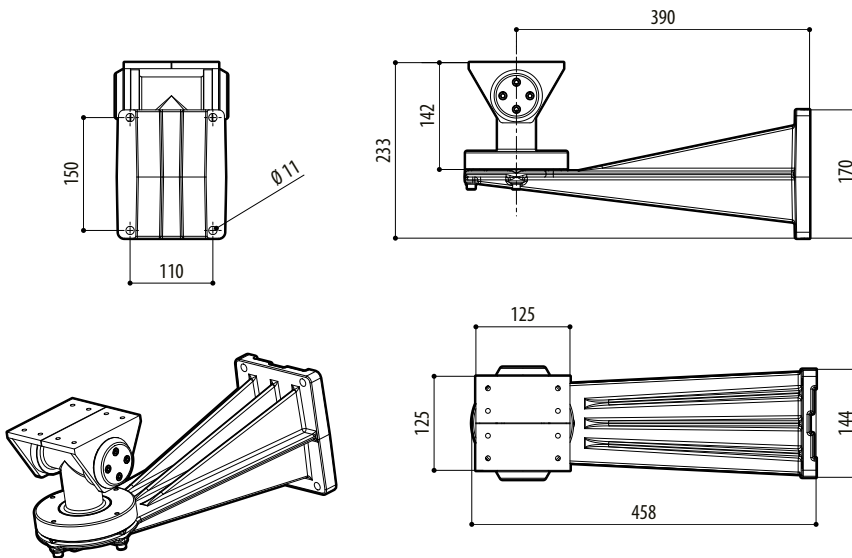
WBMA



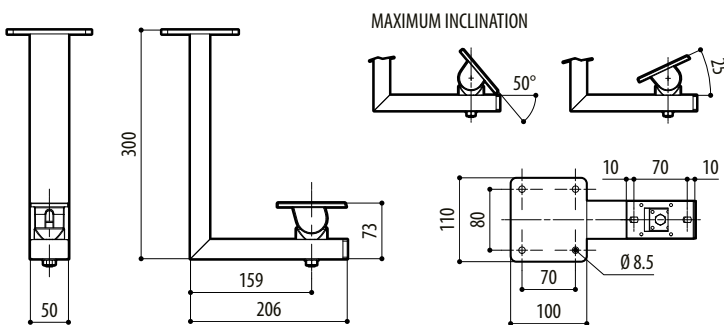
WBOVA2



WBOV3A2

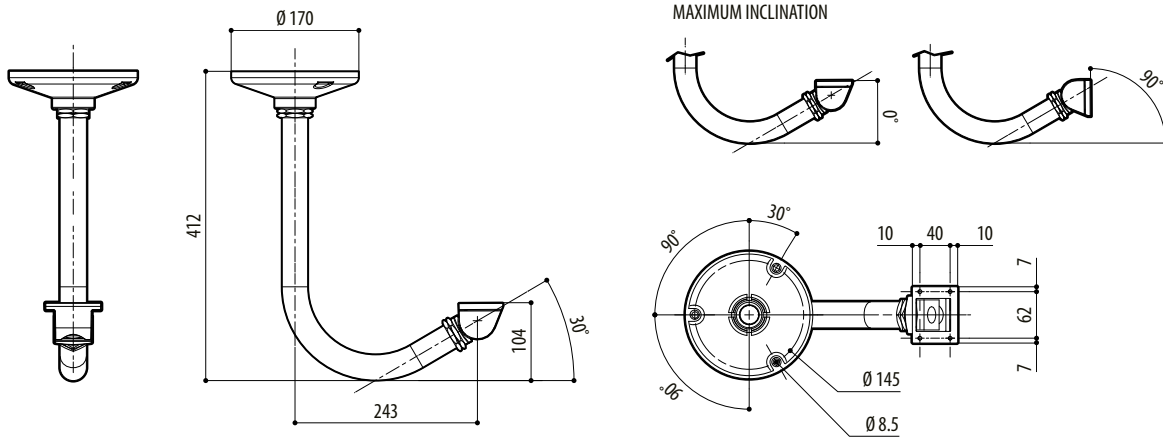


WBLA

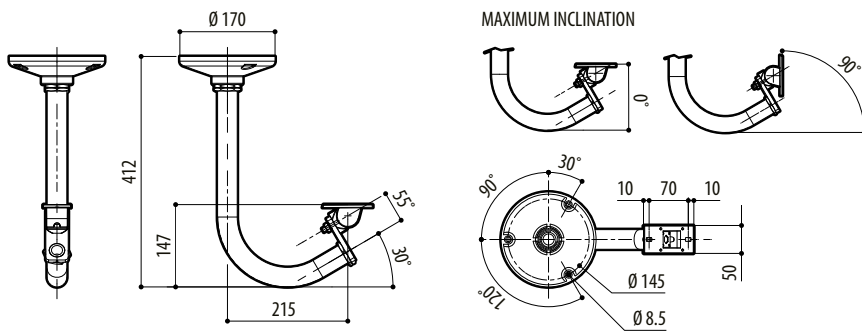


WCM3A

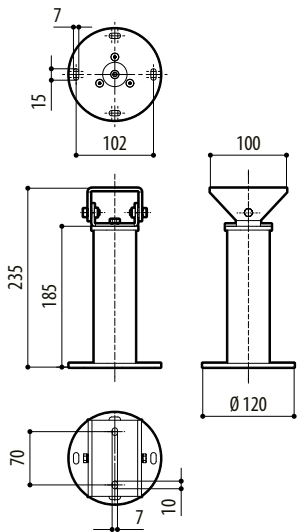




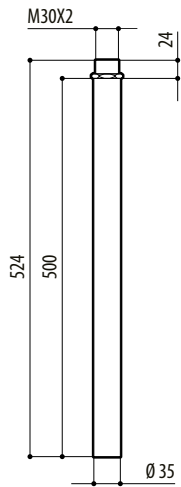
WCM4A2



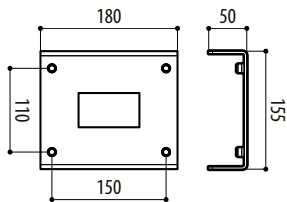
WCM5A



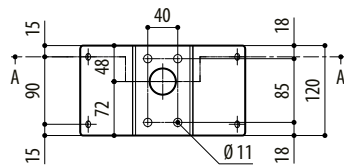
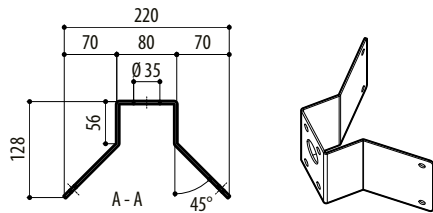
WFWCA



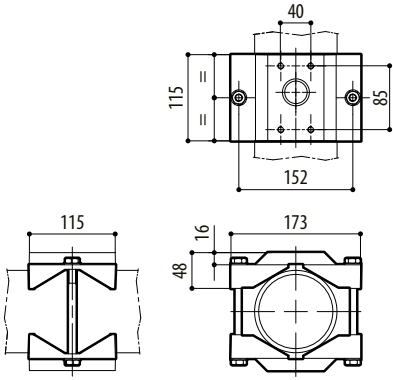
WCMPA



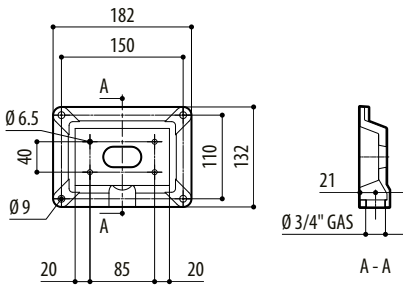
DBHWGC



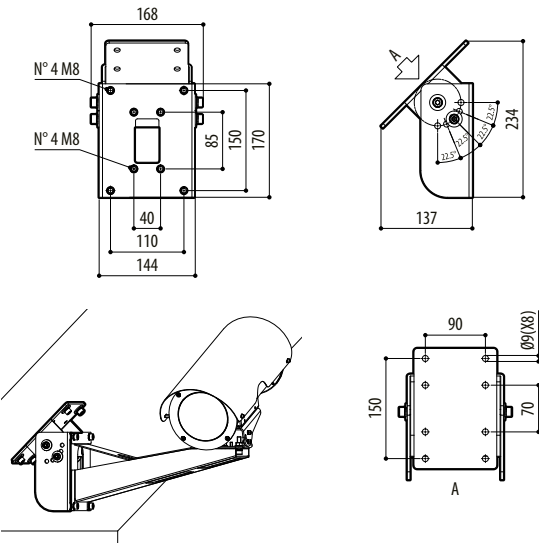
WCWA



WSFPA



WCPA



NXWTU