

IEEE1394.b XGA monochrome camera

KP-F83F

Outline

KP-FD80F is high-resolution progressive scan camera corresponding to IEEE1394.b with 1/3-inch full pixel read out CCD



Main Features

XGA, progressive scan high speed read out

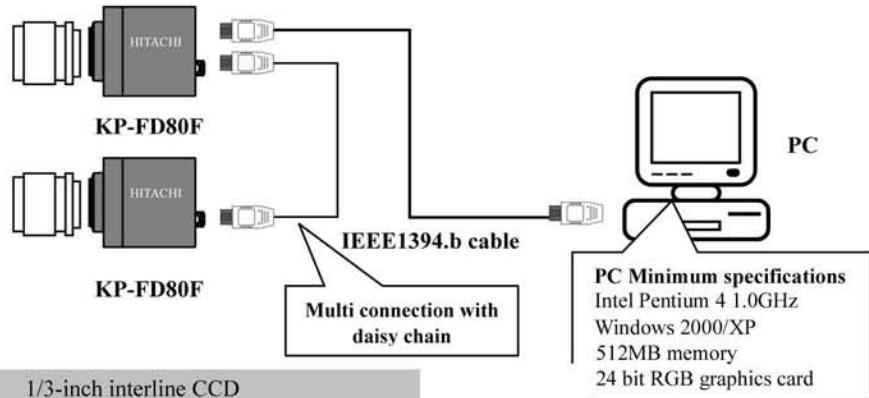
This camera output high resolution image with 30 frames per second using effective pixels 1034(H)x779(V) and square lattices.

Supported IEEE1394.b

Since supported IEEE1394.b interface, direct PC connection with a thinner cable than a parallel output possible. Multi camera connection is possible by daisy chain.

Various functions

- Electronic shutter / 10s to 1/10,000s
- External sync / HV and VD
- Trigger
- Daisy chain
- Remote control



Specifications

Imaging sensor	1/3-inch interline CCD
Effective pixel	1034(H)×779(V)
Unit cell size	4.65(H)×4.65(V)μm square size
Scanning system	Progressive scan
Sync system	Internal/external HV/DV
Protocol	IEEE1394.b IIDC
Data format	Raw8 Raw16
Power	DC12V Approx. 3.8W
Dimension	44(W)×44(H)×54(D)mm
Mass	Approx. 130g

Applications

Industrial automation, traffic surveillance, image processing etc.

☐ Please read a product specification for details.

These specifications are subject to change without prior notice due to product improvement.

Hitachi Kokusai Electric Inc.

Head Office Akihabara UDX Bldg, 11th Floor, 4-14-1 Soto-Kanda, Chiyoda-k, Tokyo 101-8980, Japan
 Phone : +81 (0)3-5209-5931, Fax : +81 (0)3-5209-6119
 URL : www.h-kokusai.com

Hitachi Kokusai Electric Europe GmbH
 Head office Weiskircher Straße 88, D-63110 Rodgau, Germany
 Phone : +49 (0)6106-6992-0, Fax : +49 (0)6106-16906

Hitachi Kokusai Electric UK Limited
 Head office Windsor House, Britannia Road, Waltham Cross, Hertfordshire, EN8 7NX, United Kingdom
 Phone : +44 (0)1992 704 595, Fax : +44 (0)1992 704 599
 URL : www.hitachi-ke-eu.com
 General email address : sales@hitachi-ke-eu.com