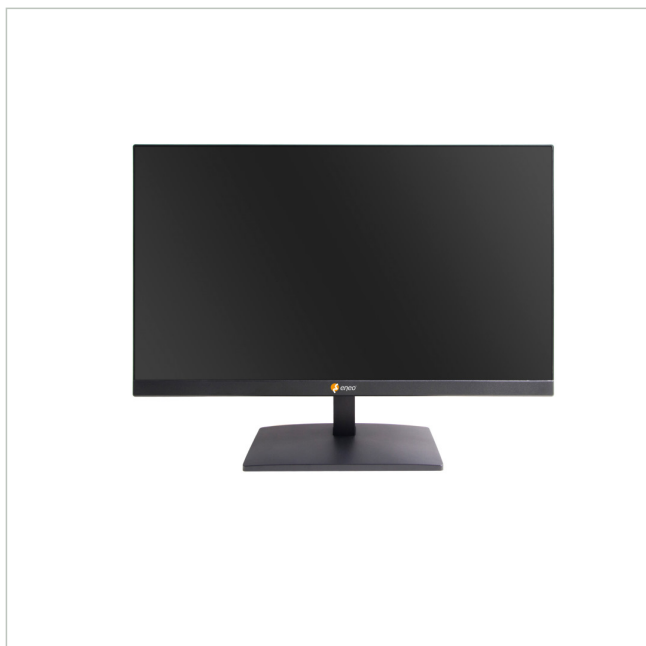


# VM-FHD24PFA

SKU: 236655



24" (61 cm) LCD Monitor Full HD, 1920x1080, LED, DisplayPort, HDMI

## Main Features

Professioneller 24" (61cm) LCD Monitor

Maximale Auflösung Full HD 1920x1080 Pixel

LED Hintergrundbeleuchtung

Optimale Darstellung durch digitale 3D Filterung

und Rauschunterdrückung

Für Dauerbetrieb ausgelegt 24x7x365

Vielseitige Eingänge DisplayPort,HDMI

Lautsprecher 2 x 3W Stereo integriert

Rahmenloses Kunststoffgehäuse inklusive Standfuß

## Specifications

General:	
Dimensions (HxWxD)	302x530x41,8mm
Mount	VESA standard 100x100mm
Supply voltage	12VDC (+/-10%)
Series	eneo Monitor
Housing color	schwarz
Housing material	Kunststoff
Loudspeaker	2x 3W
Power consumption	25W
Operating temperature	0°C ~ +40°C
Weight	3,5kg
Display:	

# VM-FHD24PFA

## Continuation of the specifications

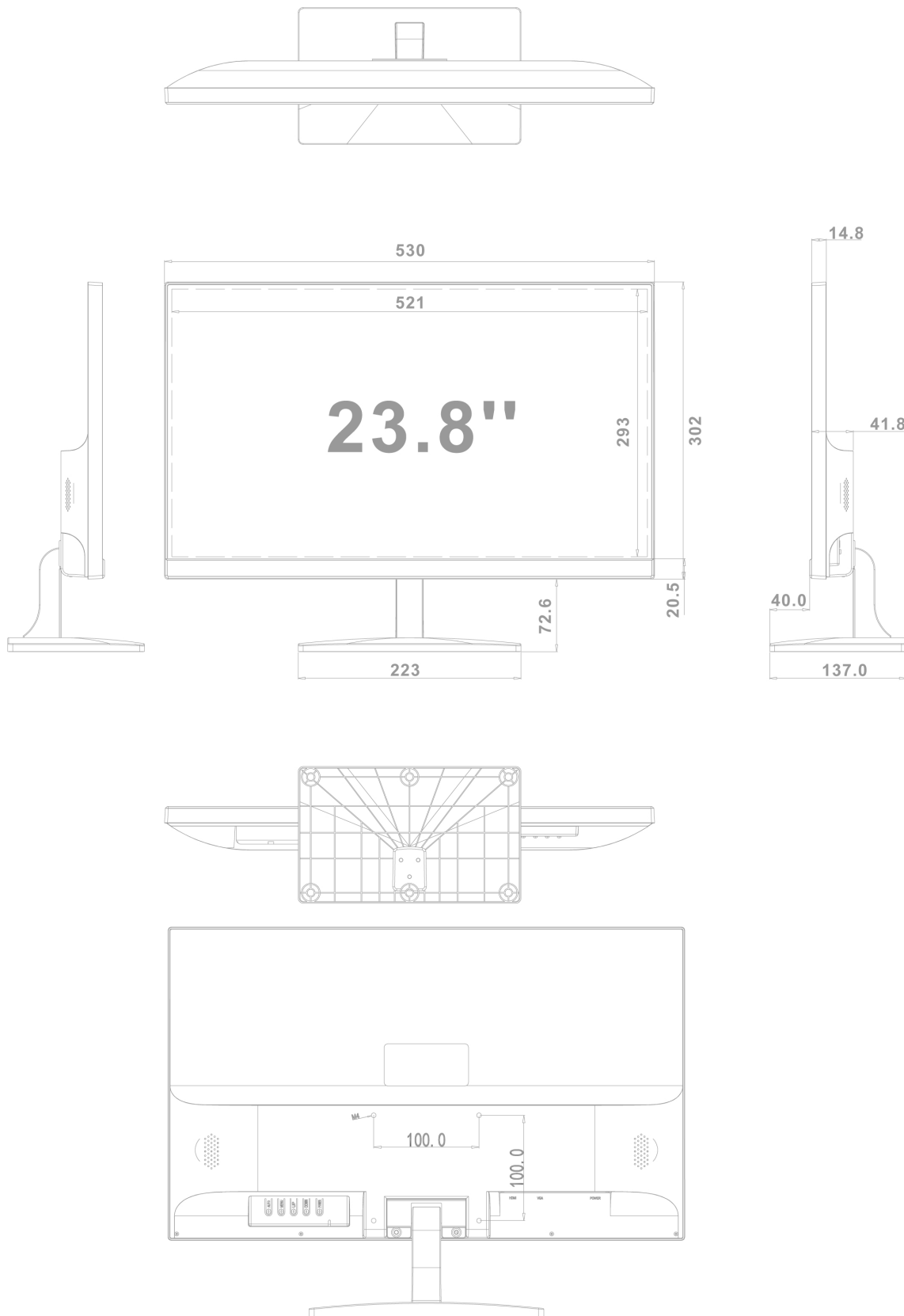
Pixel fault class	ISO 13406-2, Class II
Pixel format	0,248mm x 0,248mm
Video standard	PAL/NTSC
Backlighting	LED
Screen size (inch)	24
Screen size (cm)	61 cm
Aspect ratio	16:9
Viewing angle vertical	170°
Viewing angle horizontal	170°
Brightness typical	250 cd/m <sup>2</sup>
Contrast ratio typical	1000:1
Reponse time typical	5 ms
Refresh rate	60 Hz
Functions:	
Comb filter	3D comb filter with de-interlace
Menu languages	English, German, Italian, Spanish, French, Chinese, Russian
Parts supplied:	
Parts supplied	manual, power cord, feet, Power supply unit 100 ~ 240VAC / 12VDC, 50/60Hz, HDMI cable
Interfaces / Inputs/ Outputs:	
Audio inputs	1x 3.5mm jack, 1
Video inputs (type)	DisplayPort, HDMI
Video outputs	nein
Serial interfaces	nein
Video:	
Resolution	1920x1080 (16:9)
Other	
Display element	Color TFT-LED, Hard coating (3H), Haze :25%
Anwendungsmöglichkeiten	24/7
Auflösung Pixel	1920x1080
Audioeingänge	1
Hersteller-Nummer	236655

## Optional Accessory

SKU	Name	Description
224229	VM-LCDWMB2	Wall bracket for LCD monitors horizontal adjustable, support up to max. 8 kg

# VM-FHD24PFA

## Technical Drawing



Maße / Dimensions: mm



eneo is a registered trademark of  
VIDEOR E. Hartig GmbH  
Carl-Zeiss-Straße 8

63322 Rödermark, Deutschland

Phone: +49 6074 - 888 - 300  
Fax: +49 6074 - 888 - 100  
E-Mail: [info@eneo-security.com](mailto:info@eneo-security.com)  
Web: [www.eneo-security.com](http://www.eneo-security.com)

Stay informed and subscribe  
to the eneo newsletter

