

MPD-72M2713M0A

SKU: 217278



1/2.8" HD Dome, Fixed, WDR, Day&Night, 1920x1080, 12/24V 2.7-13.5mm, Infrared, IP67

Main Features

1/2.8" 2 Megapixel SONY STARVIS CMOS sensor
Resolution max. 1920x1080 pixels (Full HD)
Separate outputs for digital and multi-signal
Multisignal: HD-TVI, AHD, CVI and Composite selectable
Digital signal: EX-SDI, HD-SDI selectable
Motorized vari-focal lens 2.7-13.5mm

Removable infrared cut filter
ROI (Region of Interest) WDR mode
Integrated motion detector, defog, privacy zones
IP67, built-in heater, 3-Axis gimbal
For wall or ceiling flush mount
Hard coated bubble, Anti-scratch protection

Specifications

Series	eneo KX-Series,eneo Callisto
Camera:	
Camera type	Dome
Sensor size	1/2.8"
Imager	CMOS, Sony STARVIS,Sensor IMX291
System	True Day&Night
Sensitivity	0,08 Lux, at F1.4,40IRE
Low Speed Shutter	yes
Low speed shutter	manual time preselection
Manual electronic shutter (MES)	1/25 ~ 1/30.000sec
Automatic electronic shutter (ESC)	1/25 ~ 1/30.000sec.

MPD-72M2713M0A

Continuation of the specifications

Wide Dynamic Range (WDR)	WDR 113dB, Real Time WDR 25/30fps
Flickerless function	yes
Backlight Compensation	BLC,HLC
Day&Night switch	ICR
Day&Night mode	auto,day,night
White balance	automatic,Presets,manual
Signal-to-noise ratio	50dB
Video:	
Signal format	Composite (FBAS),HD-TVI @ 2MP,AHD @ 2MP,CVI @ 2MP,EX-SDI (270 Mbps),HD-SDI (1.485 Gbps)
Frame rate	25/30fps @ 1920x1080p,50/60fps @ 1280x720p
Synchronization	internal
Lens:	
Lens Type	Varifocal (motorized)
Zoom Factor	4x
Focal Length	2,7 - 13,5 mm
Digital Zoom	no
MOD (Minimum Object Distance)	0,5 m
Aperture range (F)	F1.4
Iris Control	DC
Resolution Pixels	1920x1080,1280x720,720x576
Vertical Angle of View	53 - 19°
Horizontal Angle of View	100 - 38°
Video standard	PAL/NTSC
DORI:	
Detect (25px/m)	47 - 128 m
Observe (62 px/m)	18 - 52 m
Recognize (125 px/m)	8 - 25 m
Identify (250 px/m)	4 - 12 m
Functions:	
Motion Detector	yes
Analysis functions	Defog
Rotation range	+/-173°
Vertical tilt range	65 °(25 ~ 90°)
OSD function control	OSD camera setup
Menu languages	German,English,Chinese,Japanese,Korean
Privacy zone masking	Areas-ON/OFF switchable
Mirror function	mirror,V flip
Digital Noise Reduction	yes
Interfaces / Inputs/ Outputs:	
Video outputs	HD-TVI,AHD,CVI,composite (CVBS),EX-SDI,HD-SDI
External connectors	voltage input,1x SDI Signal (BNC),1x HD/SD Analog Signal (BNC),connection cable approx.15cm

MPD-72M2713M0A

Continuation of the specifications

Alarm inputs	no
Alarm outputs	no
Serial interfaces	Coaxitron (HD Protocol)
Serial interfaces protocols	UTC (HD-Signal Format)
General:	
Dimensions (HxWxD)	119x140mm
Weight	1kg
Illumination	infrared
Illumination	2x High Power LEDs 850nm
Illumination range	approx. 50m
Color (housing)	Pantone Cool Gray 1C
Color (bubble)	clear
Housing	outdoor
Housing material	aluminium
Heater	yes
Power consumption	9.5W
Mounting	wall mount, ceiling mount
Protection rating	IP67
Supply voltage	12VDC, 24VAC
Operating temperature	-30°C ~ +50°C
Text display	supplied
Vandal proof	yes
Certifications	IK10
Parts supplied:	
Parts supplied	manual, drilling template, bag of screws
Remarks	NDAA compliance under Section 889, Part A.

Optional Accessory

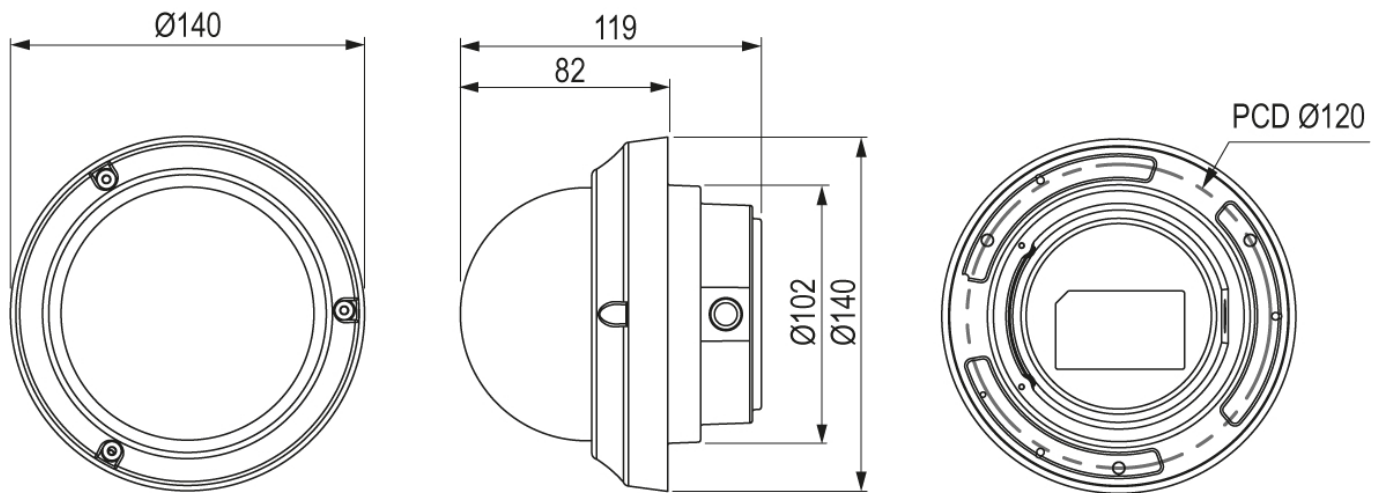
SKU	Name	Description
209832	AK-5	Camera Junction Box, for Callisto Dome series, IP66
216923	DOME-S1	Sun Shield for eneo Callisto Dome Series
209880	DOME-WB1+DOME/ Basis1	Wall Bracket & Surface mount base, Callisto Dome line
209831	DOME/BASIS1	Surface mount base , Callisto Dome line
207192	DOME/WEDGE2	Wedge Adapter, Callisto Dome Line
225085	MAM-5DC1004M0A	Distributor, 1x BNC Input HD-TVI, CVI, AHD, CVBS, 4x BNC Output
220299	MAM-5MM1001M0A	Converter, HD-CVI, HD-TVI, AHD, Composite to HDMI, VGA, Composite, Indoor
225135	MAM-5MM2001M0A	Converter, 4K HD-TVI, HD-CVI, AHD, auf HDMI, Indoor

MPD-72M2713M0A

Continuation of accessory

218653	PS12DC-11	Plug-in Power Supply Unit, 100-240VAC/12VDC (1,0A), regulated, with DC Plug
212984	TVA-1201TRA	UTP Transmitter+Receiver, UTP, BNC, 250m, Indoor, HD TVI CVI, AHD, CVBS, Active, 12V
212985	TVA-1201TRP	UTP Transmitter+Receiver, UTP, BNC, 150m, Indoor, HD TVI CVI, AHD, CVBS, Passive

Technical Drawing



Dimensions: mm



eneo is a registered trademark of
VIDEOR E. Hartig GmbH
Carl-Zeiss-Straße 8
63322 Rödermark, Deutschland

Phone: +49 6074 - 888 - 300
Fax: +49 6074 - 888 - 100
E-Mail: info@eneo-security.com
Web: www.eneo-security.com

Stay informed and subscribe
to the eneo newsletter

