

IAM-5SE1016IMA

SKU: 230036



Gigabit Switch, Managed, 360W Layer 3, 16xPoE, 4x SFP 10G, Industrial Design

Main Features

16-Port Gigabit Switch Managed L3, Fanless	ESD protection IEC61000-4-5 standard
4x SFP 10 Gigabit Uplink Ports	Web configuration, Web management
PoE Standard IEEE 802.3af/at	VLAN, PoE management, MAC address table
Up to 30W per port, total ≤360W	Port mirroring, password protection
Power supply not included	Relay Alarm for power, cable link and PoE link down
Fast Ring-Redundant, Reconfiguration <20ms	Temperature range -40° C ~ +75° C

Specifications

Functions:	
Multicast compliant	yes
Port mirror	yes
QoS	yes
SNMP	yes
Security	Password protection, Fast-Ring, Port Isolation, Port speed setup, Radius Authentication
Network:	
Network protocols	RSTP, IGMP, HTTP, HTTPS, SNMPV1, SNMPV2, SNMPV3, QoS, DHCP, IPv4, IPv6, NTP, STP, RIP, OSPF, VRRP, SSH, CLI
Ethernet standards	IEEE 802.3 10BaseT, IEEE 802.3u 100BaseTX, IEEE 802.ab 1000BaseT, IEEE 802.3z 1000BaseSX/LX, IEEE 802.3x Flow Control, IEEE 802.1Q VLAN, IEEE 802.1p Quality of Service, IEEE 802.3ad Link Aggregation, IEEE 802.1D Spanning Tree Protocol, IEEE 802.1w Rapid Spanning Tree Protocol, IEEE 802.1x Radius network access

IAM-5SE1016IMA

Continuation of the specifications

Internal switching capacity (Mpps)	83.3 Mpps
Internal switching capacity (Gbit/s)	112 Gbps
VLAN	yes
Interfaces / Inputs/ Outputs:	
Ethernet interface	10Base-T,100Base-TX,1000Base-T
Ports	16x 10/100/1000Base-T,4x 10Gbit SFP,Console RJ45-RS232,OOB 10/100Base-TX
Optical connector	SFP Port
General:	
Dimensions (HxWxD)	95,6x163x110mm
Weight	1.7kg
PoE ports (number)	16
Model	DIN rail module
Type	Layer3 Switch
Power consumption	380W max.
Blower	no
Management	yes
Mounting	DIN rail,wall mount
PoE budget	360 W
Power over Ethernet	IEEE 802.3af,IEEE 802.3at
Supply voltage	48~57 VDC
Operating temperature	-40°C ~ +75°C
Trunk	Contact discharge 6KV,Air discharge 8KV,IEC61000-4-2,IEC61000-4-5
Parts supplied:	
Parts supplied	manual,Mounting Bracket
Notes:	
Remarks	Power supply unit is not included in the scope of delivery.To achieve the specified PoE budget (total) value, an appropriate optional power supply unit must be used.

Optional Accessory

SKU	Name	Description
218218	eneo Site Manager	Management Software for eneo IP products
219525	RJT-1000SFP	RJ45- SFP Transceiver Modul, 1000Base-T, 0°~ +70°C
216479	SFP-0850M10	SFP Modul, 1.25Gbps, 550m, Multimode, 850nm, Duplex LC Connector, 0°~+70°C
218759	SFP-0850M10-10G	SFP Modul, 10Gbps, 300m, Multimode, 850nm, Duplex LC Connector, -5°~+70°C
218758	SFP-0850M40	SFP Modul, 1,25Gbps, 550m, Multimode, 850nm, Duplex LC Connector, -40° ~ +70°C

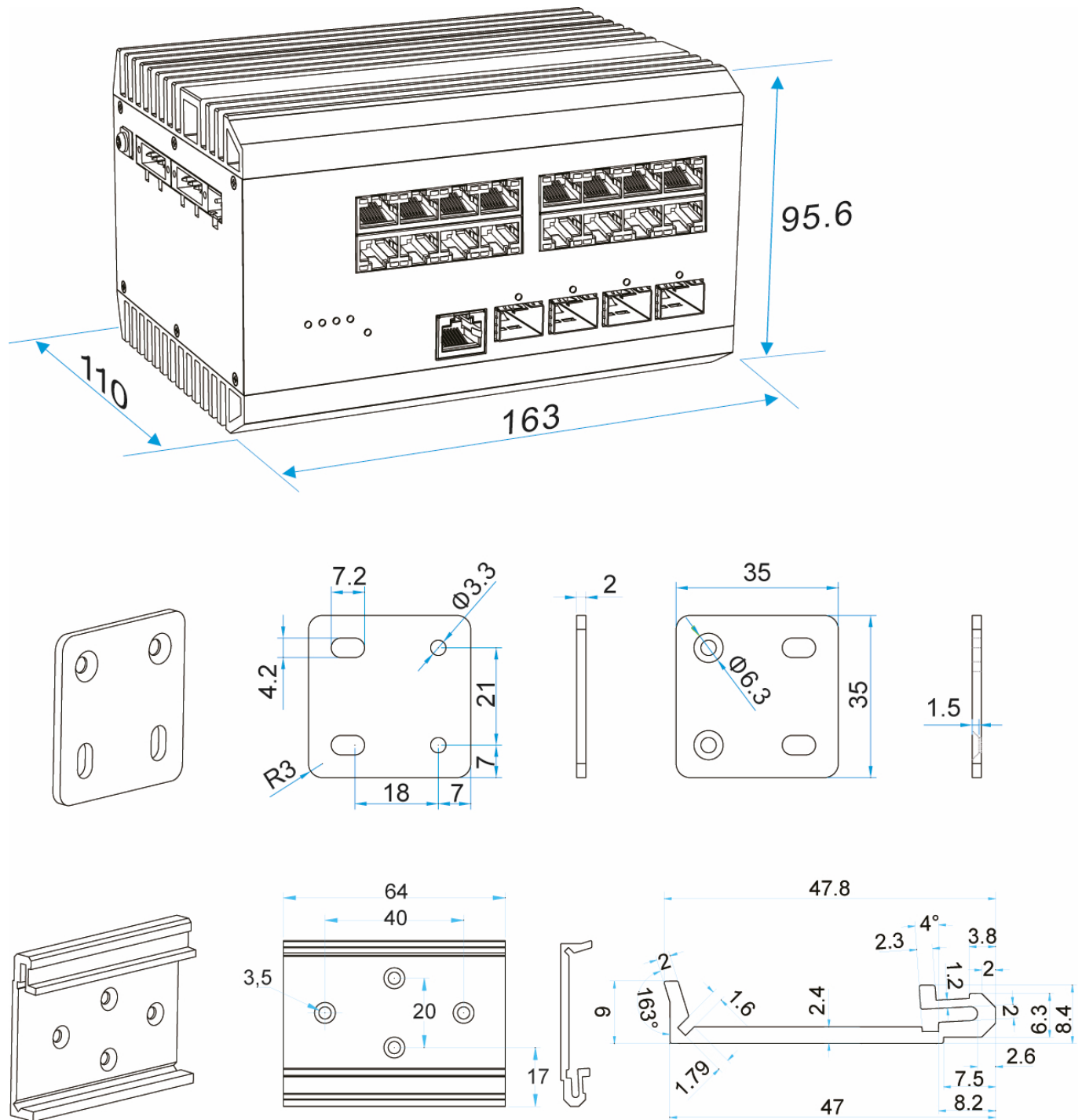
IAM-5SE1016IMA

Continuation of accessory

216478	SFP-1310M40	SFP Modul, 1.25Gbps, 550m, Multimode, 1310nm, Duplex LC Connector, -40°~+75°C
216566	SFP-1310S10	SFP Modul, 1.25Gbps, 20km, Singlemode, 1310nm, Duplex LC Connector, 0°~+70°C
218760	SFP-1310S10-10G	SFP Modul, 10Gbps, 10km, Singlemode, 1310nm, Duplex LC Connector, -5°~+70°C
216477	SFP-1310S40	SFP Modul, 1.25Gbps, 20km, Singlemode, 1310nm, Duplex LC Connector -40°~+75°C

IAM-5SE1016IMA

Technical Drawing



Maße / Dimensions: mm



eneo is a registered trademark of
 VIDEOR E. Hartig GmbH
 Carl-Zeiss-Straße 8
 63322 Rödermark, Deutschland

Phone: +49 6074 - 888 - 300
 Fax: +49 6074 - 888 - 100
 E-Mail: info@eneo-security.com
 Web: www.eneo-security.com

Stay informed and subscribe
 to the eneo newsletter

