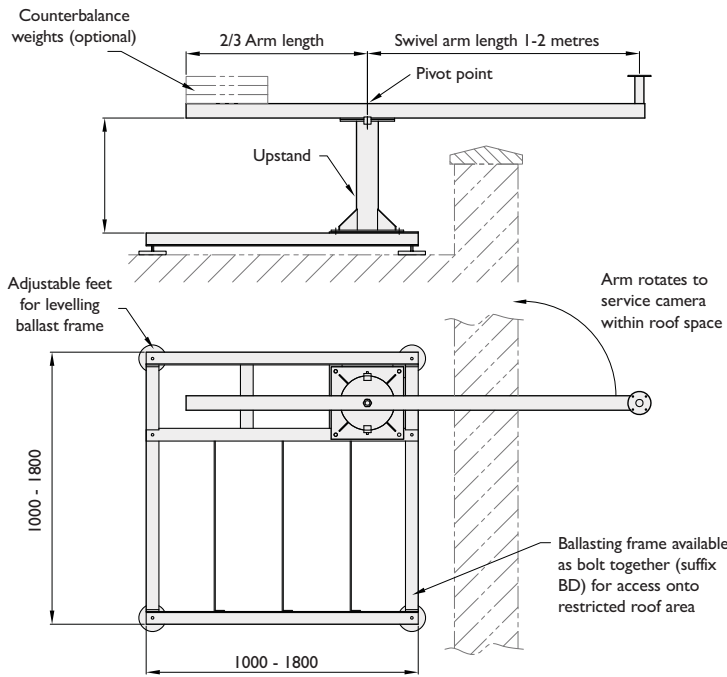


## SBI-RM

Roof mounted swivel arm bracket



## Swivel Arm Brackets

Arm Length	Pt No.
1m	● <b>SBI-1000RM</b>
1.2m	● <b>SBI-1200RM</b>
1.5m	● <b>SBI-1500RM</b>
2m	● <b>SBI-2000RM</b>

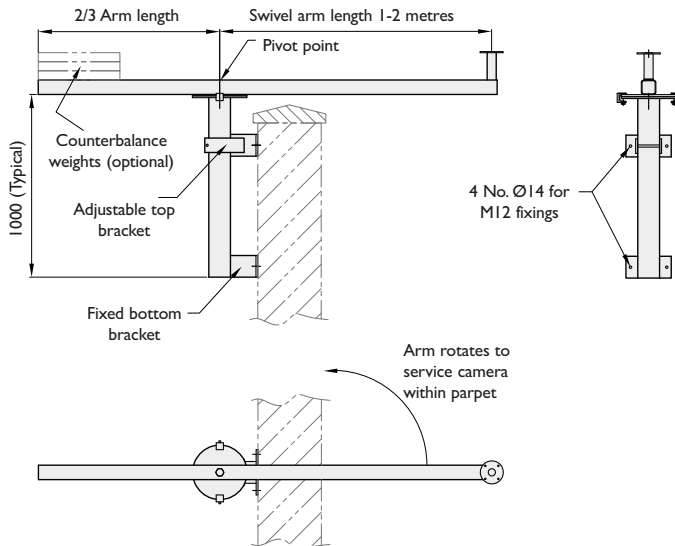
### Upstand Heights Available

- 300 mm (supplied as standard)
- 600mm
- 1100mm
- Other sizes made to order
- Max. load capacity 25kgs / 0.25m<sup>2</sup>
- Also available with bolt together frame (suffix /BD) for access onto restricted roof areas. (/BD standard on 1500 + 1800 frames, refer to website for full part no. list)
- Typical ballast amount 200 - 250kgs depending on arm length post height and location

● Stock items

## SBI-PM

Parapet mounted swivel arm bracket

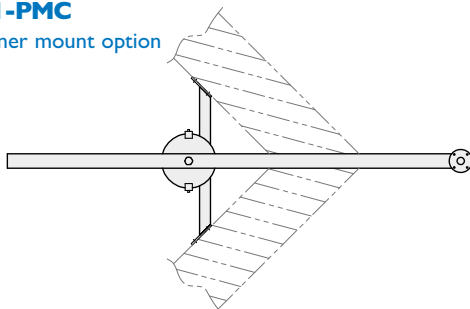


Arm Length	Pt No.
<b>Flat Parapet Mount</b>	
1m	● <b>SBI-1000PM</b>
1.2m	● <b>SBI-1200PM</b>
1.5m	● <b>SBI-1500PM</b>
2m	● <b>SBI-2000PM</b>
<b>Corner Parapet Mount</b>	
1m	● <b>SBI-1000PMC</b>
1.2m	● <b>SBI-1200PMC</b>
1.5m	● <b>SBI-1500PMC</b>
2m	● <b>SBI-2000PMC</b>

- Max. load capacity 25kgs / 0.25m<sup>2</sup>
- Also available with integral cabling (suffix IC) so that all cabling is concealed within bracketry.

## SBI-PMC

Corner mount option



Due to our policy of continuous product improvement specifications may change without notice

All brackets for camera mounting have a Ø127 mounting plate with 8 no Ø8.5 equi - spaced on 101.6 PCD