

AK-8 (#219057)

Camera junction box

This mount is a light-duty wall mount designed for use with enclosure.

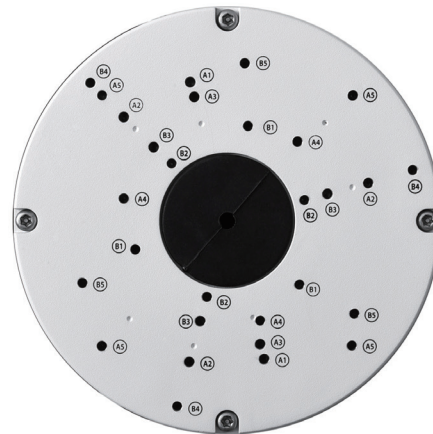


Product Features

- Surface Mount
- Die cast and aluminum
- Maximum load 11 lbs
- Easy and safe to install

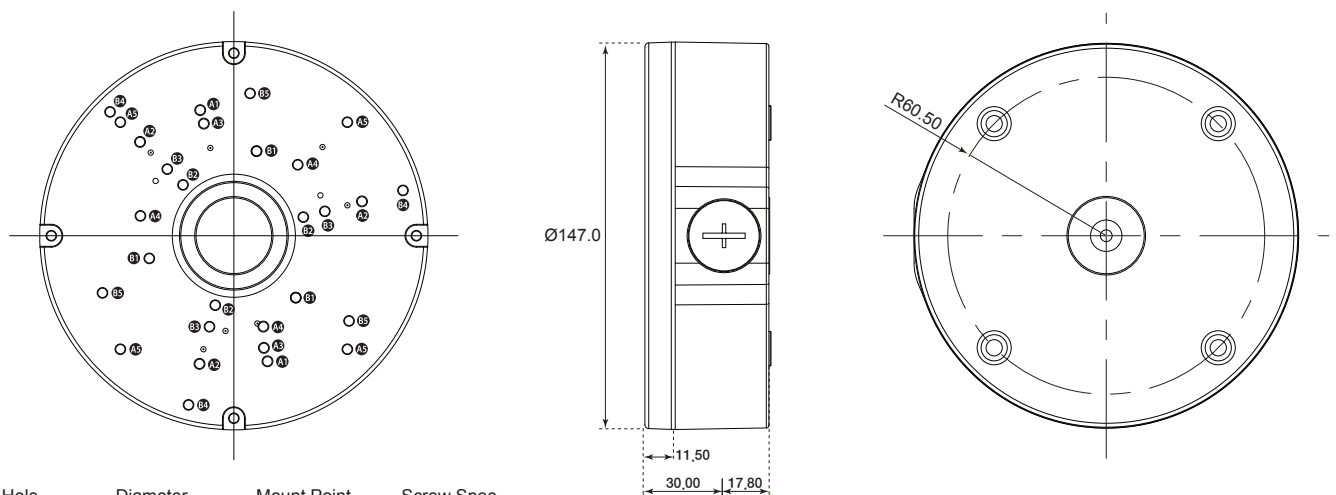
Specifications

Enclosure Mounting.....	Machine screw (supplied)
Construction	Die cast and aluminum
Finish	Polyester
Maximum Load	11 lbs
Inlet Dimension.....	PT 3/4
Dimensions.....	See dimensional outline
Weight	1.45 lbs



Dimensions

unit: mm



Hole	Diameter	Mount Point	Screw Spec
A1	98.0	2	M4x10 / BH
A2	100.0	3	M4x10 / BH
A3	87.5	2	M4x10 / BH
A4	71.0	3	M4x10 / BH
A5	121.0	4	M4x10 / BH
B1	66.0	3	M4x10 / BH
B2	54.2	3	M4x10 / BH
B3	72.0	3	M4x10 / BH
B4	132.0	3	M4x10 / BH
B5	108.0	3	M4x10 / BH
w/o cover Easytrax		4	M4x15