



## MPC-52A0030P0A

Article number: 218072

1/2,8" HD Camera, Day&Night, 1920x1080, WDR, 30x AF Zoom, 4,3-129mm, Indoor

### Mainfeatures

1 / 2.8 "Sony STARVIS CMOS

Resolution max. 1920x1080 (Full HD)

RS-485 control in-output

WDR (Wide Dynamic Range)

HD-TVI video transmission via coax cable

30x Auto Focus Zoom, 4.3 ~ 129mm / 16x Digital

Multisignal: HD-TVI, AHD, CVI and Composite selectable

2D / 3D DNR noise reduction

Protected Areas (Privacy Zones)

### Specifications

Camera:	
Sensor size	1/2.8"
Resolution pixels	1920x1080, 1280x720, 720x576
Imager	CMOS, Sony STARVIS, Sensor IMX291
System	True Day&Night
Sensitivity	0,35 Lux, at F1.6, 50 IRE
Low speed shutter	yes, automatic, manual time preselection
Manual electronic shutter (MES)	1/25~1/30000sec
Automatic electronic shutter (ESC)	1/25 ~ 1/30.000sec.
Wide Dynamic Range (WDR)	WDR 120dB, Real Time WDR 25/30fps
Flickerless function	yes
Backlight compensation	BLC, HLC
IR cut filter	switchable
White balance	automatic, manual, outdoor, fluorescent

# MPC-52A0030P0A

## Continued Specifications

Signal-to-noise ratio	50dB
<b>Video:</b>	
Video standard	PAL/NTSC
Signal format	Composite (FBAS), HD-TVI, AHD
Frame rate	1080 @ 25/30p
Synchronization	internal
<b>Lens:</b>	
Lens type	auto focus zoom
Zoom factor	30x
Focal length	4,3 - 129 mm
Digital zoom	16x
MOD (Minimum object distance)	1 m
Aperture range (F)	F1,6~F5,0
Iris control	DC
Vertical angle of view	36,4 - 1,29 °
Horizontal angle of view	61,8 - 2,11 °
<b>Features:</b>	
Motion detector	yes
OSD function control	OSD camera setup
Menu languages	English, German, French, Italian, Spanish, Polish, Portugese, Chinese
Privacy zones masking	Areas-ON/OFF switchable
Mirror function	H/V flip
Digital Noise Reduction (DNR)	yes
<b>Interfaces / Inputs / Outputs:</b>	
Video outputs	AHD, HD-TVI, composite (CVBS)
Alarm inputs	1
Alarm outputs	1
Serial interfaces	Pelco-C (Coaxitron), RS-422, RS-485
<b>General:</b>	
Series	eneo Multisignal
Dimensions (HxWxD)	88.6x81x142mm
Mount	1/4" UNC-20
Colour (housing)	white
Housing	indoor
Housing material	aluminium, plastic
Weight	600g
Power consumption	6,6W
Supply voltage	12VDC
Temperature range (operation)	0°C ~ +50°C
Text display	supplied
Vandalism resistant	no
<b>Scope of delivery:</b>	
Parts supplied	manual

# MPC-52A0030P0A

Continued Specifications

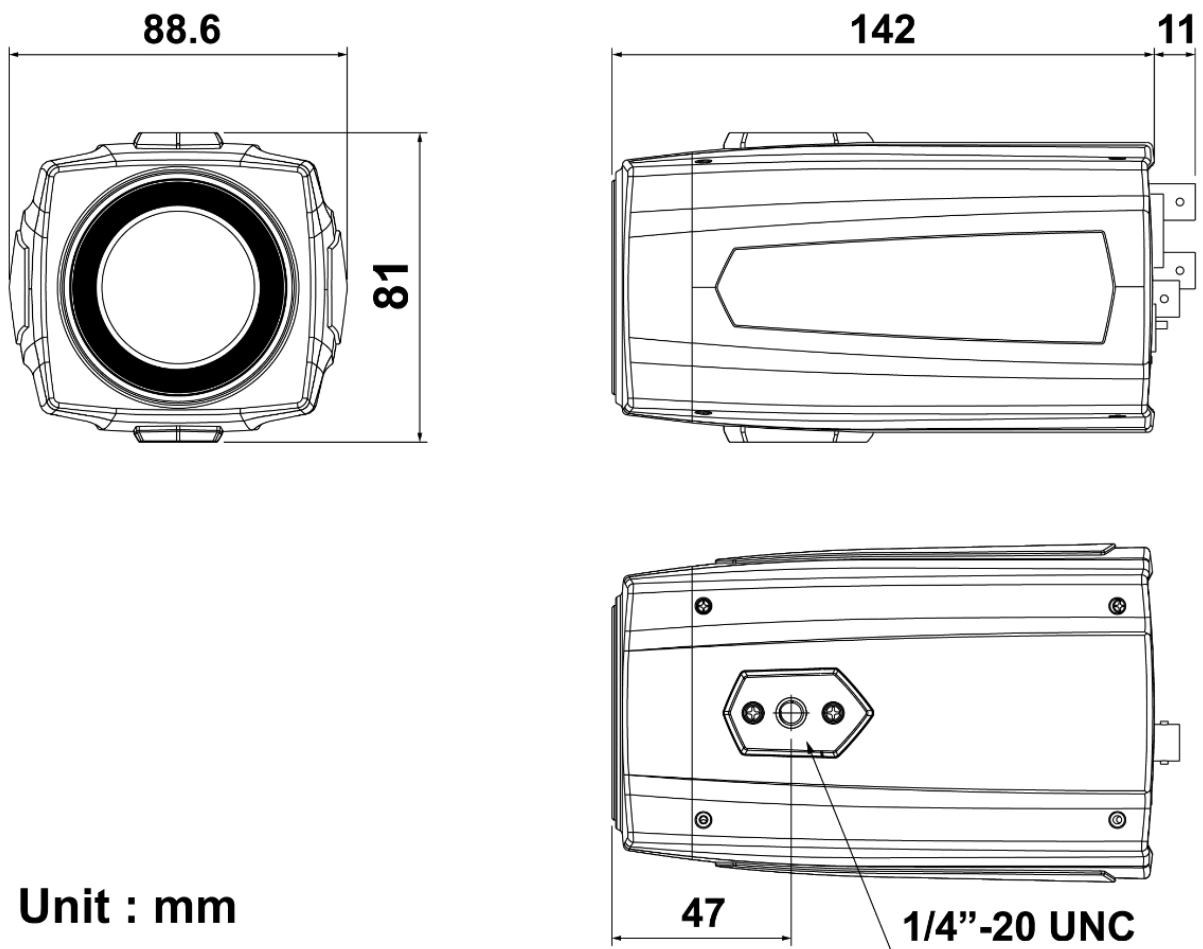
# MPC-52A0030P0A

## Available Accessories

Image	Prod. No / Label	Description
	70835 / WD-12-WA	Wall Mount with Ball Joint, 1/4" Camera Fixing Screw, 140mm, RAL9006
	212984 / TVA-1201TRA	HD-TVI Transmitter+Receiver, UTP, BNC, 250m, Indoor, Active, 12V
	212985 / TVA-1201TRP	HD-TVI Transmitter+Receiver, 150m, BNC, UTP, Indoor, Passive
	212987 / TVA-1101EA	HD-TVI Signal Amplifier, 12VDC, Indoor
	79676 / VHM/ECLKB-W	Weatherproof Housing (330mm), w. Heater, Thermostat, CBD, RA L9016/7035, 24V
	214236 / TAM-4MM1001M0A	HD-TVI Converter to HDMI, VGA, FBAS, Indoor
	217344 / MAM-5ME1001MTA	Multisignal Converter, HD-TVI , AHD, 960H to IP, H.264, 1920x1080, 12VDC
	218653 / PS12DC-11	Plug-in Power Supply Unit, 100-240VAC/12VDC (1,0A), regulated, with DC Plug

# MPC-52A0030P0A

## Technical Drawing



Unit : mm

## Your Contact Person



eneo is a registered trademark of  
VIDEOR E. Hartig GmbH  
Carl-Zeiss-Straße 8  
63322 Rödermark  
Deutschland  
Tel.: +49 6074-888-333  
E-Mail: info@eneo-security.com  
Web: www.eneo-security.com