

PTH300

OUTDOOR P&T MOTOR

MAIN FEATURES

Constructed from corrosion-proof aluminium

For loads up to 12kg(26lb) balanced

IP66

Optional preset

Standard autopan function

24Vac and 230Vac, 50/60Hz versions

Internally adjustable horizontal and vertical limit switches

Horizontal fixed speed 6°/s, vertical fixed speed 3°/s

DESCRIPTION

The PTH300 P&T motor is constructed from die cast aluminium construction protected by epoxy polyester painting.

PTH300 allows a maximum horizontal speed of 6°/s, a vertical speed of 3°/s and an horizontal rotation of 330°, vertical 360°. The Autopan function is possible for limited periods of time. A preset version is also available, equipped with potentiometers, which allows the presets by means of our telemetry systems.

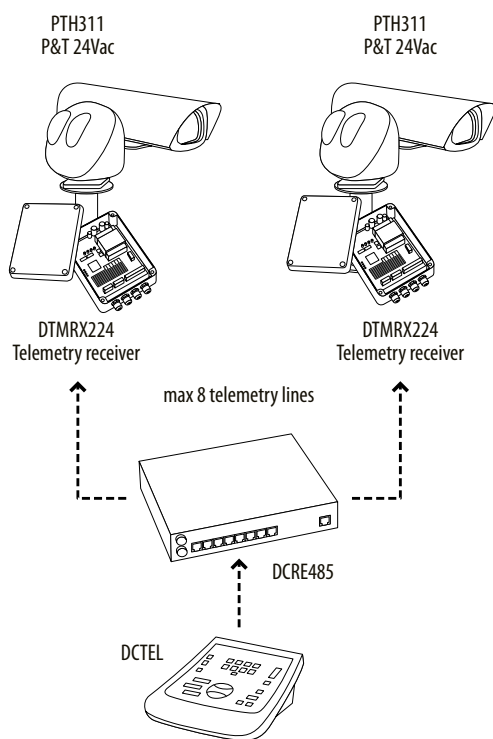
Wide range of control systems are available, ranging from the simple CBZ desktop controller to the microprocessor controlled telemetry receivers and to the most advanced control keyboards of the range.



PTH300



PTH300



----> Twisted pair RS485 (max distance 1200m / 3937ft) telemetry only

AVAILABLE MODELS				
Model Number	Power supply	Autopan	Preset	Consumption max
PTH310	230Vac	✓	–	14W
PTH311	24Vac	✓	–	14W
PTH310P	230Vac	✓	✓	14W
PTH311P	24Vac	✓	✓	14W

TECHNICAL DATA**GENERAL**

Constructed from corrosion-proof aluminium
 Epoxypolyester powder painting, RAL9002 colour
 Stainless steel external screws
 Mounting position normal / reverse
 Supplied with side bracket for camera housing and accessories for mounting
 Standard Autopan (for a limited period)

MECHANICAL

Dimensions: 144x161x180mm (5.6x6.3x7in)
 Load rating: 12kg / 26.5lb max (balanced)
 Horizontal rotation: 0-330°
 6°/s fixed horizontal speed
 Pan Torque: 6Nm
 Horizontal limit switches, internally adjustable
 Vertical plane movement: 0-360°
 3°/s fixed vertical speed
 Vertical torque: 6Nm
 Backlash: Pan 0.17°, Tilt 0.07°
 Vertical limit switches, internally adjustable
 1 PG11 cable gland and 1 blanking cap for PTH300 models
 2 PG11 cable glands for PTH300P models
 Unit weight: 3.7kg (8lb)

ELECTRICAL

Power supply 24/230Vac
 Horizontal motor consumption 7W max
 Vertical motor consumption 7W max
 Potentiometer: 5kOhm, multiple rotation (10 turns, max 1 million shaft rotations) (only PTH310P / PTH311P versions)

ENVIRONMENT

Indoor/Outdoor
 Operating temperature: -20°C / +50°C (-4°F / 122°F)
 Salty fog resistance, to 1000 hours (ISO9227)

CERTIFICATIONS

Electrical safety (CE): EN60065
 Electromagnetic compatibility (CE): EN50130-4, EN61000-6-3
 IP protection degree: EN60529 (IP66)
 EAC certification

RELATED PRODUCTS

DTMRX2	Telemetry receiver 12 functions, 230Vac
DTMRX224	Telemetry receiver 12 functions, 24Vac
DTRX3	Telemetry receiver 17 functions for series PTH300 + preset
DTRX324	Telemetry receiver 17 functions for PTH311 + preset
Housings	PUNTO, HEB, HEK, HOV, VERSO, VERSO COMPACT

BRACKETS AND ADAPTORS

PTAC	Wall bracket for PTH300 series
WFWBTA	Column bracket for PTH P&T series

SPARE PARTS

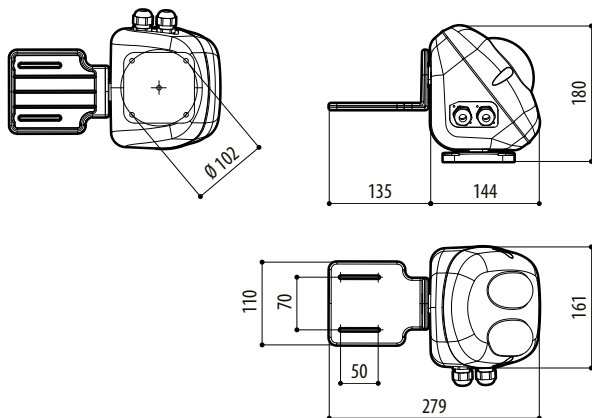
OPTH3MAN	Maintenance kit
DOTPTH300	Installation kit for P&T PTH300

PACKAGE

Model Number	Weight	Dimensions (WxHxL)	Master carton
PTH310	4.1kg (9lb)	17.5x27x23cm (7x11x9in)	6

TECHNICAL DRAWINGS

Sizes in millimeters.



PTH300