



IPP-82A0030MIA

Article number: 212715

1/2,8" Network Dome, 1920x1080, PTZ, Day&Night, 4,3-129mm, Infrared, Outdoor

Mainfeatures

1/2.8" IP PTZ dome with Sony CMOS-Sensor

Full HD 1920x1080 pixels, 1080p@50/60fps

Digital noise reduction (DNR)

Zoom synchronized & fixed IR LEDs

DIS (Digital Image Stabilization)

Alarm in- and outputs, micro SD card slot

30x AF Zoom, 4,3~129mm / Digital zoom

Compression H.264/MJPEG, Web Casting

VCA Video Analytic

Real time WDR (Wide Dynamic Range) 25/30fps

Privacy zones

High-PoE midspan included

Specifications

Camera	
Sensor size	1/2.8"
Resolution standard	HD 1080p, HD 720p
Imager	CMOS
Imager	Sony STARVIS
System	True Day&Night
Sensitivity	0,35 Lux
Sensitivity	at F1.6, 50 IRE
Low speed shutter	yes
Low speed shutter	2x ~ 8x
Manual electronic shutter (MES)	1/25~1/30000sec
Wide Dynamic Range (WDR)	WDR 120dB

IPP-82A0030MIA

Specifications continued

Wide Dynamic Range (WDR)	Real Time WDR 25/30fps
Backlight compensation	BLC, HLC
IR cut filter	switchable
Automatic electronic shutter (ESC)	1/25~1/30000sec.
White balance	automatic, outdoor, manual, fluorescent, Light bulb
Video	
Compression standard	H.264, M-JPEG
Stream types	2x H.264, 1x MJPEG multiple
Image transmission rate max.	60 fps
Multicast compliant	yes
Compression standard	H.264, M-JPEG
Lens	
Lens type	auto focus zoom
Zoom factor	30x
Focal length	4,3 - 129,0 mm
Digital zoom	16x
MOD (Minimum object distance)	1 m
Iris control	DC
Resolution	1920x1080 (16:9), 1280x1024 (5:4), 1280x960 (4:3), 1280x720 (16:9), 704x576 (4:3), 704x480 (4:3), 640x480 (4:3), 320x240 (4:3)
Resolution max.	1920x1080
Horizontal angle of view	65,1 - 2,23 °
Features	
Motion detector	yes
Analysis functions	motion detection, tampering protection, Line detection, Field detection, face detection, Defog
Alarm processing	FTP, E-Mail, HTTP, Boost, SD-card recording
Presets	256 presets
Rotation range	360 °
Speed (manual control)	380 °/Sek.
Audio	1/1 Line input and output
Audio support	yes
Password protection	yes
Internal storage	microSDHC card, 32GB
Menu languages	English, Korean, Chinese, Russian
Privacy zones masking	8 zones masking
Remote configuration	web browser
Web browser	MS Internet Explorer vers. 7.0 or higher, Google Chrome (Java), Mozilla Firefox (Java)
Mirror function	H/V flip
Digital Noise Reduction (DNR)	2D-DNR, 3D-DNR
Network	
Network protocols	TCP/IP, UTP, HTTP, RTP, RTSP, NTP, DHCP, SMTP, DDNS, HTTPS, RTCP, FTP, IPv4, IPv6, Bonjour, Zeroconf, OpenVPN

IPP-82A0030MIA

Specifications continued

Interfaces / Inputs / Outputs	
External connections	12VDC input (DC plug), RJ-45, alarm input/output, audio input/output
Ethernet interface	10Base-T, 100Base-TX
Alarm inputs	4
Alarm outputs	1
General	
Series	eneo Premium Class
Dimensions (HxWxD)	315x201.38mm (ø158)
Illumination	infrared
Illumination	Zoom Synchronized & Fixed IR LED, 5~60°
Illumination range	approx. 300m
Colour (housing)	Pantone Cool Gray 1C
Housing	outdoor
Housing material	aluminium
Weight	4.9kg
Heater	no
Camera type	PTZ Dome
Power consumption	28W
ONVIF	Profile S
Power over Ethernet	Ultra PoE (over 25.4W)
Protection rating	IP66
Supply voltage	PoE+, 12VDC
Temperature range (operation)	-30°C ~ 65°C
Vandalism resistant	n/a
Vertical tilt range	-10° ~ +90°
Scope of delivery	
Parts supplied	manual, mounting accessories, High-PoE-Midspan, eneo Scan Device Tool
Notes	

Special features

Video analytic function, Anti-moisture coating of camera window

Outdoor-ready, High POE Midspan are scope of supply

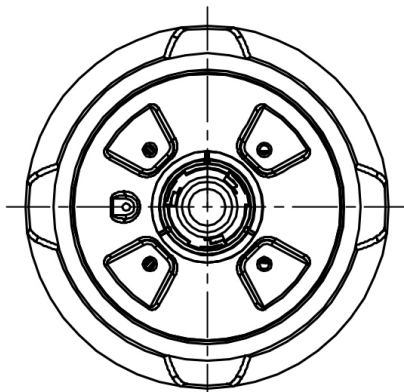
IPP-82A0030MIA

Available Accessories

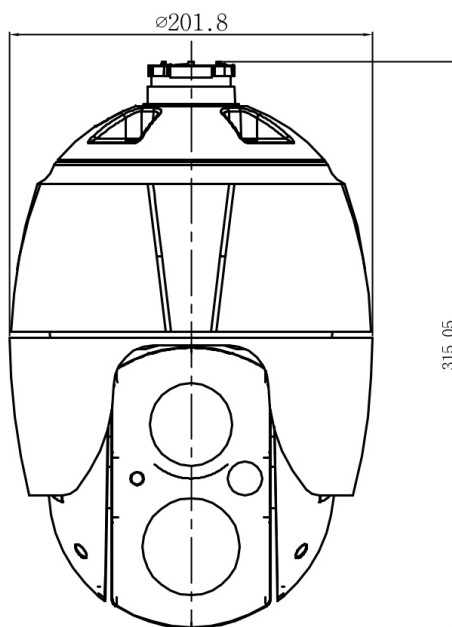
Bild	Art. Nr. / Bezeichnung	Beschreibung
	74127 / EDC-WMB1	Wall Mount for PTZ Dome Cameras with Mounting Kit
	74128 / EDC-CMT1	Ceiling Mount Tube with Flange Plate for PTZ Dome Cameras
	210144 / eneo Scan Device	Management program for eneo IP Cameras
	211976 / ECB-1	Media Converter, Indoor, 1x RJ45, 1x SFP
	211980 / EVX-900R	Media Converter, Indoor, Transmitter-Receiver, 1x RJ45, 1x RJ-11, 12V, up to 1000m
	211981 / EVX-900B	Media Converter, indoor, Transmitter-Receiver, 1x RJ45, 1x BNC, 12V, up to 1000m
	211982 / EPS-1008	PoE Switch, 8x PoE+, 1x RJ45, 1x SFP, 130W, Metal Housing
	211983 / EPS-1016	PoE Switch, 16x PoE+, 2x RJ45, 2x SFP, 250W, 19" Rack

IPP-82A0030MIA

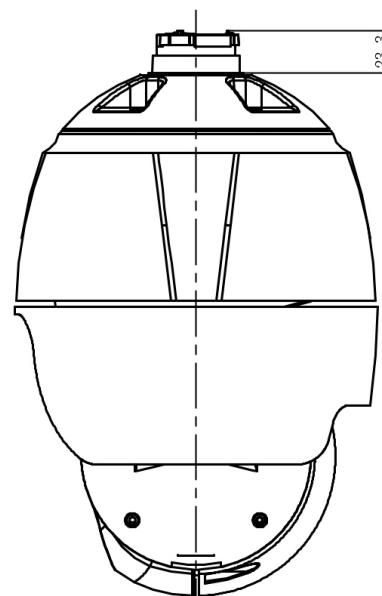
Technical Drawing



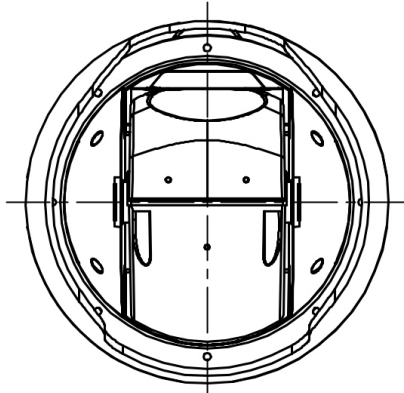
Top View



Front View



Side View



Bottom View

Maße/Dimensions: mm

Your Contact Person



eneo is a registered trademark of
VIDEOR E. Hartig GmbH
Carl-Zeiss-Straße 8
63322 Rödermark
Deutschland
Tel.: +49 6074-888-333
E-Mail: info@eneo-security.com
Web: www.eneo-security.com