

GCI-N0586T

8 MP Ultra HD Integrated IP-Camera 3.5~8mm motor. lens P-Iris
ICR IR LED



- 4K Resolution for super detailed images
- Motorized Vario Focal lens (Zoom & Focus), P- Iris
- Infrared Power LED for wide angle and long distance IR
- Day/Night feature with IR cut filter removable, for higher sensitivity and vibrant colors
- ONVIF Profile S compliant for maximum compatibility with VMS
- SD/SDHC/SDXC memory card slot for alarm and schedule image recording
- Weatherproof Outdoor Installation (IP66)

SUMMARY

Grundig's extensive, new IP CCTV surveillance range offers an outstanding video security solution and is designed to meet every current surveillance requirement. Grundig has embraced the latest IP technology to create a range with impressive functionality and quality.

The new Grundig IP cameras are designed to suit every environment, however hostile or challenging. The new IP camera range includes PTZ and vandal-resistant domes for internal and external applications, traditional box cameras and specialist designs for specific application requirements. Further practical installation features include weather-resistance, a variety of mounting methods and comprehensive integration and compatibility.

Each camera offers advanced specifications, making effective use of the latest IP CCTV technologies. These include high resolutions providing clear images for detailed identification and evidential purposes; a variety of exposure methods; and encrypted recording directly onto a SD card. Intelligent features include privacy zones for non-invasive surveillance and legal compliance; intelligent alerts to operators; and system management tools using motion detection and other alarm triggers. Each camera comes with full ONVIF support to ensure full integration and future-proofing.

German video security excellence - by GRUNDIG

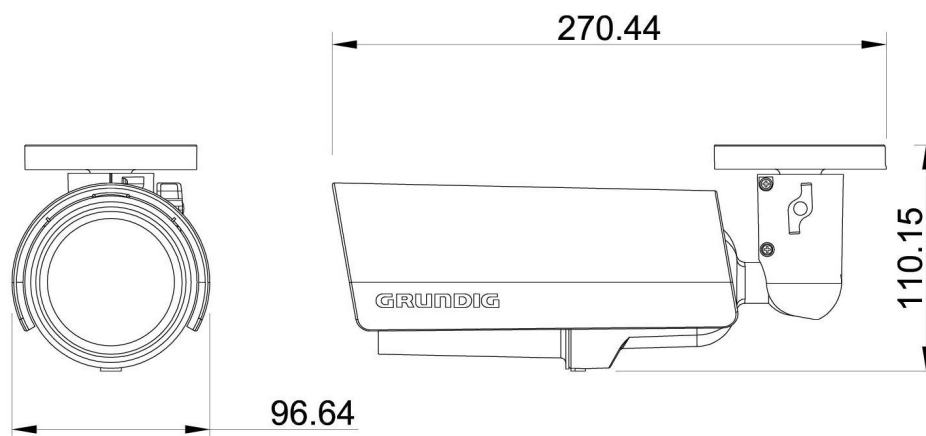
SPECIFICATIONS

Image Sensor	1/1.7" CMOS 12 MP
Pixels - Total	3840(H) x 2160(V)
Sensitivity Colour	0.05 Lux@F1.45(IRE30), 0.5 Lux@F1.45(IRE50)
Sensitivity B&W	0.005 Lux@F1.45(IRE30), 0.05 Lux@F1.45(IRE50)
Col/B&W	On/Off/Auto, IR-cut filter removable (ICR)
Lens Focal Length	3.5 ~ 8 mm
Horizontal Viewing Angle	116° (Wide) ~ 52° (Tele)
Iris F-Number	F= 1.45 ~ 360C
Lens Drive Type	Motorized Zoom & Focus, P- Iris
Focus Adjustment	Motorized
Digital Zoom	Off/1 ~ 10x
Shutter Speed	1 ~ 1/10.000 sec
IR LED	6 pcs., 60° illumination angle
Max. IR Distance	50 m
Wavelength	850nm
BLC Back Light	On/Off
WDR	72dB (Digital Wide Dynamic Range) Off/Low/Middle/High
White Balance	ATW, AWB, Manual, One Push
Privacy zones	5 zones (rectangle/color selection)
Digital Noise Reduction (DNR)	2DNR: ON/OFF, 3DNR/ColorNR: Off/Low/Mid/High
D&N Switching Mode	Light Sensor (Auto with LED), Light ON, Light OFF, SMART, Auto, Night, Day
Video Text Overlay	Text string (15 character), Subtitel (5 lines @ 16 character)
Alarm Trigger	Alarm Input, Motion Detection, Network Failure detection, Tampering Alarm, Time lapse, Manual Trigger, Audio detection
Schedule	Daily, Weekly, Start Time and Duration
Alarm Event	Enable Alarm Output, Send message by FTP or/and Email, Upload image by FTP or/and Email, Send HTTP notification, IR CUT filter switch On/Off, Record to Micro SD Card
Reverse	Normal, Flip, Mirror, Vertical Mode (90°clockwise,90° counter clockwise), 180°
Video Compression	H.264 (MPEG-4Part 10/AVC), MJPEG
ONVIF compliant	Profile S
Video Streaming	Quad stream: 4xH.264 or 3xH.264+MJPEG Triple: 3xH.264 or 2xH.264+MJPEG Dual: 2xH.264 or H.264+MJPEG Single: H.264 or MJPEG
Video Resolution	8MP(3840x2160)/5,7MP(3200x1800)/Full HD 1080p/SXGA/HD720p/XGA/SVGA/4CIF/VGA/CIF/QVGA
Frame Rate (Max@Resolution)	25fps@8MP, 25fps@5,7MP, 50fps@2MP, 50fps@1,3MP, 50fps@HD720p, 50fps@XGA, etc.
Streaming Method	Unicast, Multicast
Audio Compression	G.726, G.711
Audio Inputs	1x 3.5mm jack (Line)

SPECIFICATIONS

Audio Outputs	1x 3.5mm jack (Line)
Alarm Inputs	1 (5V, 10KΩ)
Alarm Outputs	1 (max.300VDC/AC, max.130mA)
Access protection	By log-in and Password, IP filter, IEEE802.1x
Number of Clients	Up to 20 simultaneously
SD memory	supports up to 64 GB capacity of micro SD/SDHC/SDXC memory
NAS Recording:	Yes
Recording Types:	on Micro SD/SDHC/SDXC CARD: Single Image Recording (JPEG), Video(AVI, LCK) on NAS: Video (AVI)
Web Browser	MS Internet Explorer 6.0 (or higher), Firefox, Google Chrome, Safari, Access over Mobile Devices
Network Protocol	IPv4/v6, TCP/IP, UDP, RTP, RTSP, HTTP, HTTPS, DHCP, PPPoE, UPnP, SMTP, ICMP, IGMP, SNMP, IEEE802.1x, QoS, ONVIF, FTP, ARP
Firmware Upgrade	by Web Browser or Grundig finder (from ver.1.17)
Configuration	Upload & Download configuration on remote PC
Multi Language Webpage	English, German, French, Italian, Russian
Video Outputs	1Vpp, BNC
Input/Output sockets	Video Out(BNC), Power(3-Pin Term), RJ-45, Micro SDHC Card Slot, Alarm Terminal 4-Pin (Alarm In 2-Pin, Alarm Out 2-Pin), Audio (2 mini Jack 3.5mm)
Operating Temperature	-25°C ~ +55°C
Operating Humidity	10% ~ 90%, non-condensing
Regulation	CE, RoHS Compliant
Supply Voltage	24 Vac / 12 Vdc / PoE (IEEE 802.3af)
Power Consumption	12.4 (LED ON) W
Weight	1 kg
Dimensions w*h*d	Ø 95 x 274 mm

DIMENSIONS



ACCESSORIES



GBR-JB01W
Connection Base



GBR-JB02P
Connection Base
