

SC-MAC01

Multi-format Converter

SC-MAC01 is a multi-format converter which receives AHD, TVI, CVI, EX-SDI, HD-SDI, HD-SDI, CVBS signals and converts them to various standard signals such as HD-SDI, HDMI, VGA, CVBS after upscaling or downscaling the received signals. In addition, as this converter has the vertical and horizontal sync out ports, it is possible to measure AnalogHD signals more easily and accurately.

Features

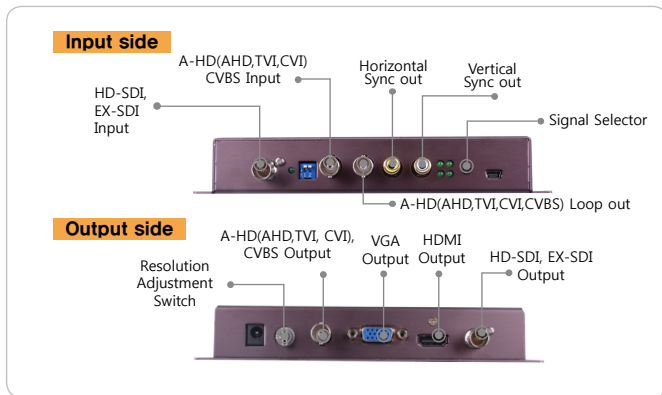
- Supported Input Signals: AHD, TVI, CVI, EX-SDI, HD-SDI, CVBS (AHD, TVI, CVI: 720p~1080 30p)
- Supported Output Signals: HDMI, VGA, CVBS, HD-SDI (AHD, TVI, CVI: 720p~1080 30p)
- Output signal selection & Resolution adjustment by rotary switch (HD-SDI, VGA)
- Available to change Input signal by using selector
- Surge protection circuit built-in



NEW

[SC - MAC01]

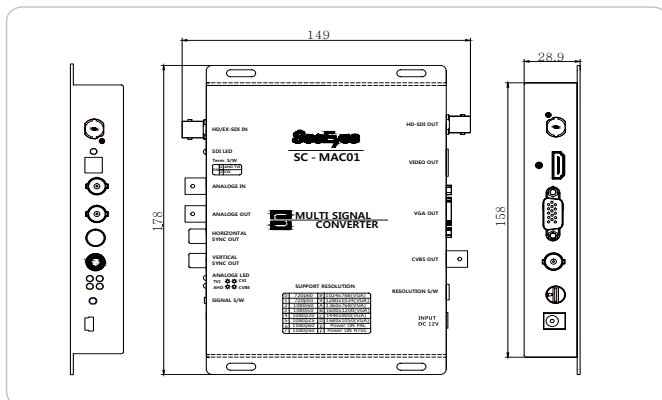
SC-MAC01 Input/Output Port



Specifications

| MODEL | | SC-MAC01 | |
|------------------------|-----------|---------------------------|----------------------|
| Video | Input | HD-SDI(1Ch) | HD-SDI, EX-SDI |
| | | ANALOG(1Ch) | AHD, CVI, TVI, CVBS |
| | Output | HD-SDI | Only HD-SDI |
| | | HDMI | HDMI type A out |
| | | VGA | D-SUB 9Pin Connector |
| CVBS | NTSC, PAL | | |
| POWER INPUT | | DC 12V / 500mA | |
| Power Consumption | | DC 12V / 0.3A, 3.6W | |
| Temperature / Humidity | | 0 ~ +50°C / 0 ~ 80% | |
| Case Body / Weight | | Aluminium / 380g | |
| Dimensions (mm) | | 149(W) X 178(H) X 28.9(D) | |

Dimensions



DIP S/W Settings



| DIP S/W | No.1 When using AHD, TVI Loop Thru out | No.2 When using CVI Loop Thru out |
|---------|--|-----------------------------------|
| OFF | Non-use of terminating resistors | Non-use of terminating resistors |
| ON | Use of terminating resistors | Use of terminating resistors |

Output Resolution

| Set Point | Output Resolution | Set Point | Output Resolution |
|-----------|-------------------|-----------|-------------------|
| 0 | 1280 x 720P60 | 8 | 1024 x 768(VGA) |
| 1 | 1280 x 720P50 | 9 | 1280 x 1024(VGA) |
| 2 | 1920 x 1080i60 | A | 1360 x 768(VGA) |
| 3 | 1920 x 1080i50 | B | 1600 x 1200(VGA) |
| 4 | 1920 x 1080p30 | C | 1440 x 900(VGA) |
| 5 | 1920 x 1080p25 | D | 1680 x 1050(VGA) |
| 6 | 1920 x 1080p60 | E | Power ON PAL |
| 7 | 1920 x 1080p50 | F | Power ON NTSC |

Connection Diagram

