



EDC-WMB1

Article number: 74127

Wall Mount for PTZ Dome Cameras with Mounting Kit

Mainfeatures

For wall mounting of PTZ dome cameras

Rugged aluminium construction

Ready for installation

Hidden cable harness




Swivel head with large adjustment range

Specifications

Colour	Pantone Cool Gray 1C
Categorie	Mounting

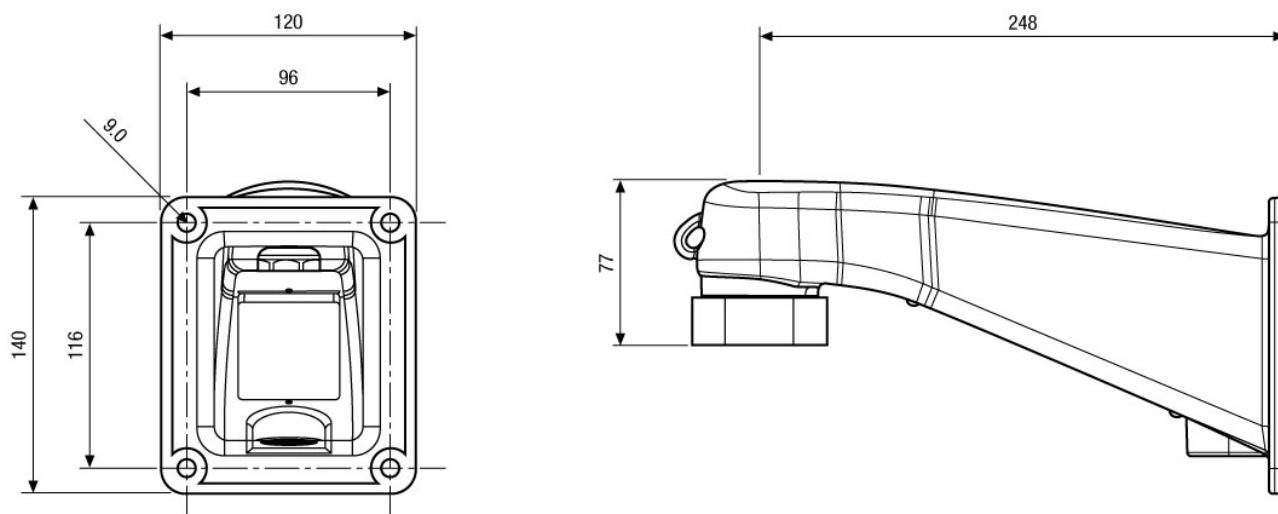
EDC-WMB1

Available Accessories

Bild	Art. Nr. / Bezeichnung	Beschreibung
	74054 / EDC-CMA2	Corner Mount Adapter for EDC-IPx1/OPx1 Housings and Wall Bracket EDC/WMB1
	74055 / EDC-PM7	Pole Mount Adapter for EDC-IPx1/OPx1 Housings and Wall Bracket EDC/WMB1
	210750 / PEC-CMA1	Corner Mount EDC-WMB1, PLD-WMB1, PLD-WMB2

EDC-WMB1

Technical Drawing



Maße/Dimensions: mm

Your Contact Person



eneo is a registered trademark of
VIDEOR E. Hartig GmbH
Carl-Zeiss-Straße 8
63322 Rödermark
Deutschland
Tel.: +49 6074-888-333
E-Mail: info@eneo-security.com
Web: www.eneo-security.com