

GCI-K1677D

2 Megapixel Full HD Indoor Dome IP-Camera 3~9mm AFZ Modul P-Iris ICR IR LED WDR



- EXMOR™ sensor for low light sensitivity, XARINA™ DSP for advanced features
- 2 Megapixel IP Camera with Full HD 1080P real time video
- 60/50fps@2MP
- P-Iris:system to give precise control over the iris opening
- WDR (Wide Dynamic Range) for extreme backlight situations
- 0 Lux: Integrated LED IR Illuminator to see even in total darkness
- Day/Night feature with IR cut filter removable, for higher sensitivity and vibrant colors
- 3 Axis Gimbal, to mount on Wall or Ceiling
- ONVIF Profile S compliant for maximum compatibility with VMS

SUMMARY

Grundig's extensive, new IP CCTV surveillance range offers an outstanding video security solution and is designed to meet every current surveillance requirement. Grundig has embraced the latest IP technology to create a range with impressive functionality and quality.

The new Grundig IP cameras are designed to suit every environment, however hostile or challenging. The new IP camera range includes PTZ and vandal-resistant domes for internal and external applications, traditional box cameras and specialist designs for specific application requirements. Further practical installation features include weather-resistance, a variety of mounting methods and comprehensive integration and compatibility.

Each camera offers advanced specifications, making effective use of the latest IP CCTV technologies. These include high resolutions providing clear images for detailed identification and evidential purposes; a variety of exposure methods; and encrypted recording directly onto a SD card. Intelligent features include privacy zones for non-invasive surveillance and legal compliance; intelligent alerts to operators; and system management tools using motion detection and other alarm triggers. Each camera comes with full ONVIF support to ensure full integration and future-proofing.

German video security excellence - by GRUNDIG

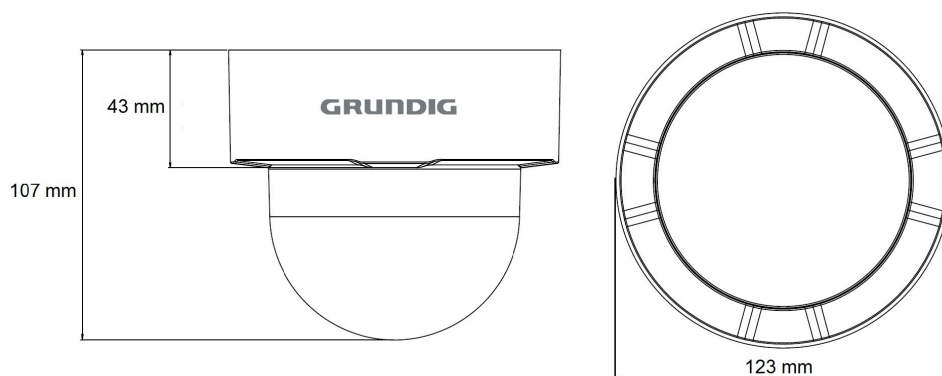
SPECIFICATIONS

Image Sensor	1/2.8" Sony Exmor™ CMOS
Pixels - Total	1920(H) x 1080(V)
Digital Signal Processor (DSP)	Sony Xarina Solution
Sensitivity Colour	0.05 Lux @ F1.2 (50IRE)
Sensitivity B&W	0.01 Lux @ F1.2 (50IRE)
Lens Focal Length	3.0 ~ 9.0 mm
Horizontal Viewing Angle	107° (Wide) ~ 36° (Tele)
Optical Zoom Ratio	x 3
Digital Zoom	Off/2 ~ 16x
Iris F-Number	F= 1.2 ~ 360
Lens Drive Type	Tamron® Auto-Focus-Zoom Module, P-Iris
Focus Adjustment	Manual
IR LED	6 pcs., 130° illumination angle
Max. IR Distance	15/25 m (according to scene reflexion)
Wavelength	850nm
Col/B&W	On/Off/Auto, IR-cut filter removable (ICR)
Shutter Speed	1 ~ 1/10.000 sec
WDR	96dB (Shutter WDR)
BLC Back Light	On/Off
White Balance	AWB, Auto no boundary, ATW, Indoor, Outdoor, Manual
Digital Noise Reduction (DNR)	2DNR/3DNR: Off/Low/Mid/High
Digital Image Stabilization (DIS)	Off/On
D&N Switching Mode:	Light Sensor (Auto with LED), Light ON, Light OFF, SMART, Auto, Night, Day
Motion Detection	On, Off, by Schedule
Tampering Alarm	On, Off, by Schedule
Time Lapse	Off, On (60~3600s)
Manual Trigger	On, Off
Schedule	Single Day or Week, Time (Start, Duration), DAY or NIGHT Mode
Alarm Event	Alarm Input, Motion Detection or Schedule: Image Transfer or Alarm Message by FTP, Image Transfer or Alarm Message by E-mail, Recording on SD-Card, enable Alarm Output and send HTTP Notification
Camera ID	15 character, 1 lines
Reverse	Normal, Flip, Mirror, Vertical Mode, 180°
Privacy zones	5
Privacy Zone Type:	rectangle, Color selection
Network Interface	16x 10/100/1000 Base T/TX (RJ-45)
Video Compression	H.264 (MPEG-4Part 10/AVC), MJPEG
ONVIF compliant	Profile S

SPECIFICATIONS

Video Streaming	Quad stream: 4xH.264 or 3xH.264+MJPEG Triple: 3xH.264 or 2xH.264+MJPEG Dual: 2xH.264 or H.264+MJPEG Single: H.264 or MJPEG
Video Resolution	Full HD 1080p/ SXGA/ HD 720p/ XGA/SVGA/ D1/ VGA/ CIF/ QCIF
Frame Rate (Max@Resolution)	50fps@2MP, 25fps@2MP, 50fps@1,3MP, 25fps@1,3MP, etc.
Streaming Method	Unicast, Multicast
Audio Compression	G.726, G.711
Audio Inputs	1x 3.5mm jack (Line)
Audio Outputs	1x 3.5mm jack (Line)
Alarm Inputs	1x (5V, 10KΩ): On, Off, by Schedule
Alarm Outputs	1 (max.300VDC/AC, max.130mA)
Access protection	By log-in and Password, IP filter, IEEE802.1x
Number of Clients	Up to 20 simultaneously
SD memory	supports up to 64 GB capacity of micro SD/SDHC/SDXC memory
Recording Types:	on Micro SD/SDHC/SDXC CARD Single Image Recording (JPEG) Video(AVI, LCK)
Web Browser	MS Internet Explorer 6.0 (or higher), Firefox, Google Chrome, Safari, Access over Mobile Devices
Network Protocol	IPv4/v6, TCP/IP, UDP, RTP, RTSP, HTTP, HTTPS, DHCP, PPPoE, UPnP, SMTP, ICMP, IGMP, SNMP, IEEE802.1x, QoS, ONVIF, FTP, ARP
Firmware Upgrade	by Web Browser or Grundig finder (from ver.1.17)
Configuration	by web interface
Multi Language Webpage:	English, German, French, Italian, Russian, Turkish
LED Indicator	Power, link, active
Video Outputs	1Vpp/75Ω, BNC cable
Input/Output sockets	Power (Terminal 3-Pin), RJ-45, Micro SD Card Slot, 8-Pin Terminal (4-Pin Alarm IN/OUT), Audio IN/OUT (4-Pin), Video Output
Operating Temperature	-10°C ~ +50°C
Humidity	10 ~ 90% no condensation
Regulation	CE, FCC, RoHS Compliant
Supply Voltage	24 Vac / 12 Vdc / PoE (IEEE 802.3af)
Power Consumption	12 (LED ON) W
Weight	0.37 kg
Dimensions w*h*d	Ø 123 x 107 mm

DIMENSIONS



ACCESSORIES



GBR-WA07
Wall bracket