

FOR A GOOD **REASON** **GRUNDIG**

Owner's Manual



Cameras & Domes

GBR-IC04

Ceiling Flush Mount Adapter

GBR-IC04.57.1.27.03.2012

© ASP AG



Content:

1. Introduction	1
2. Package Contents & Needed Items	1
3. Installation	1
1. Installation Remarks	1
2. Installation of the Ceiling Flush Mount Adapter	2
3. Removal of the Ceiling Flush Mount Adapter from the ceiling	6

1. Introduction

The Dome Cameras GCA-B0322V(R/RH), GCA-B0323V(R/RH), GCA-B1323V(R/RH), GCA-B0324V, GCA-B0325V(R/RH) and GCA-B0326V(R/RH) can be mounted with this optional Ceiling Flush Mount Adapter. The items and tools needed for the in-ceiling installation are listed as follows.

2. Package Contents & Needed Items

These parts are included:

- Ceiling Flush Mount Adapter
- M4 Screws (x6)
- Installation Instructions
- Mask for ceiling hole

Tools Needed:

- Tool for drilling
- Torx Wrench (included in the camera package)
- Allen Wrench
- Phillips Screw Driver
- Screw Wrench

3. Installation**3.1. Installation Remarks**

The installation must be performed by qualified personnel and conform to all local codes/regulations.

Make sure that the ceiling material is strong enough to hold both the video camera's and Ceiling Flush Mount Adapter's gross weights.

Check that the thickness of the ceiling is between 10 mm and 40 mm.

Make a $\varnothing 204 \pm 2$ mm hole in the ceiling (please see the special mask that is included in the package).

Do not touch the sharp edges of the Ceiling Flush Mount Adapter with your hands, to prevent injuries.

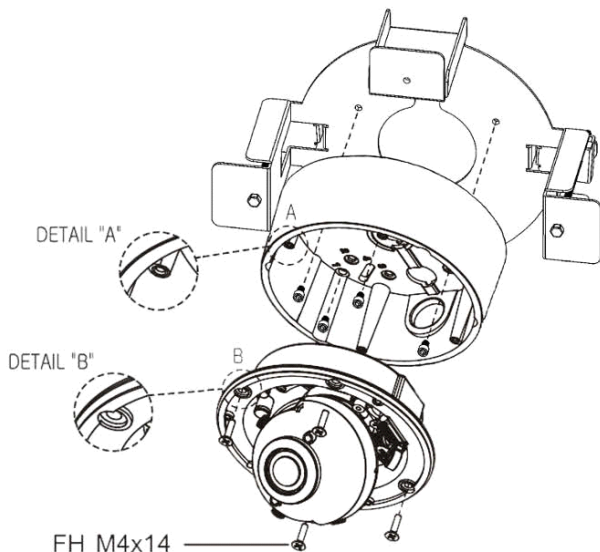
Before starting performing the installation, wear gloves to avoid injuries to your hands, and protective eye-glasses for your eyes.

3.2. Installation of the Ceiling Flush Mount Adapter

1. Remove the dome cover of the Camera by loosening the 3 screws with the Torx Wrench supplied in the package of the camera. Then remove the camera module (flush mount base) from the camera base (surface plate). To loosen the screws, use a Phillips-tip screwdriver.

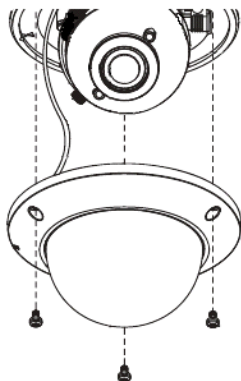
2. Attach the camera base (surface plate) to the Ceiling Flush Mount Adapter. To secure the Ceiling Flush Mount Adapter to the camera base, tighten the four supplied M4 screws with an Allen wrench.

Attach the camera module to the camera base by using the four M4x14 screws of the camera package and a Phillips-tip screwdriver.

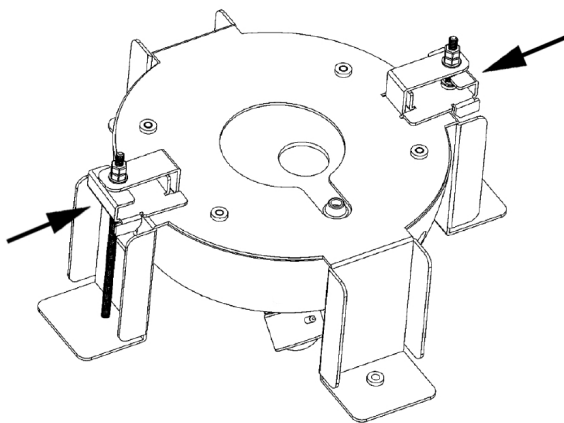


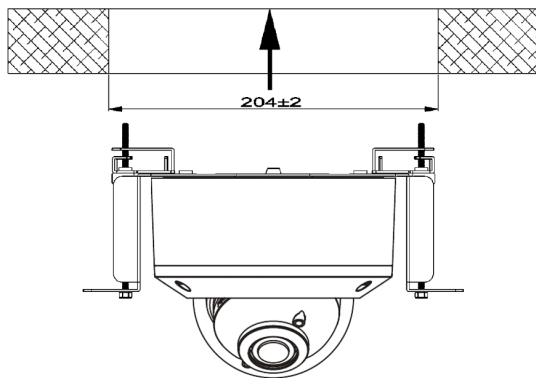
3. Adjust the shooting direction and range of the camera. Please refer to the Camera's Manual for further information.

4. Attach the dome cover to the camera by tightening the 3 screws with the Torx Wrench.



5. Make sure that the right and left fixing plates of the Ceiling Flush Mount Adapter are facing inward (factory setting). Then, fit the Ceiling Flush Mount Adapter with the camera in the hole in the ceiling.

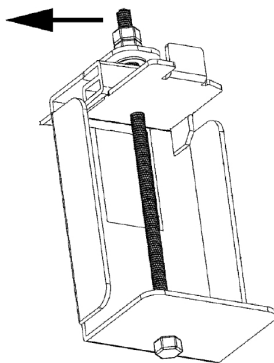




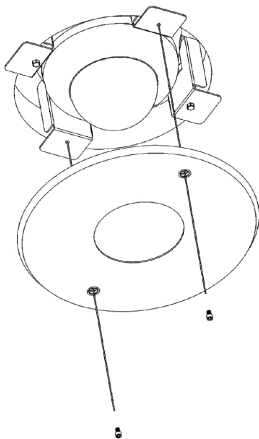
6. The fixing plates of the Ceiling Flush Mount Adapter swing outward when they are tightened (see the picture below). You can tighten them with a matching screw wrench. Make sure that the fixing plates are grasping the ceiling.

NOTE:

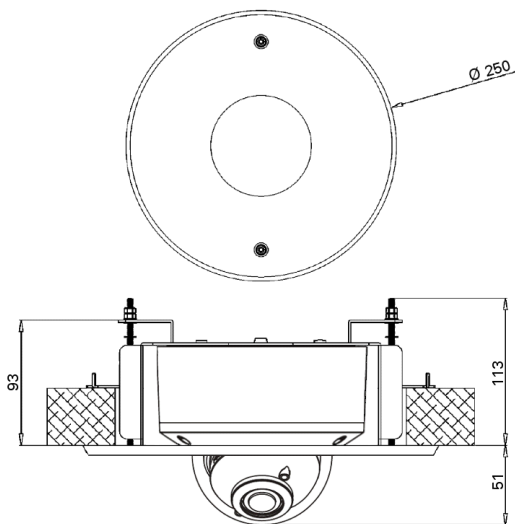
To tighten the nuts, torque them to 1,47 Nm or less. Do not tighten the nuts excessively to avoid damages to the Ceiling Flush Mount Adapter.



7. Mount the cover of the Ceiling Flush Mount Adapter using the two supplied M4 screws and an Allen Wrench.

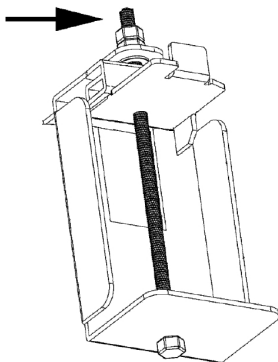


Dimensions (after Installation):



3.3. Removal of the Ceiling Flush Mount Adapter from the ceiling

Remove the cover of the Ceiling Flush Mount Adapter by loosening the two screws with an Allen Wrench. Then loosen the right and left nuts of the Ceiling Flush Mount Adapter (the nuts for the installation to the ceiling) with a matching screw wrench. Make sure that the fixing plates swing inward before removing the Ceiling Flush Mount Adapter and the Camera.



NOTE:

To loosen the nuts, torque them to 1,47 Nm or less. Do not loosen the nuts too rapidly to avoid damages to the Ceiling Flush Mount Adapter. Hold the Camera while loosening the nuts, otherwise the Ceiling Flush Mount Adapter and the Camera may fall down.

Specifications GBR-IC04

Suitable for	GCA-B0322V(R/RH), GCA-B0323V(R/RH), GCA-B1323V(R/RH), GCA-B0324V, GCA-B0325V(R/RH), GCA-B0326V(R/RH)
Body material	Steel
Colour	RAL 9010
Dimensions (wxhxd)	ø 250 x 113 mm
