



ACC2BPLA



ACT2BP

Altron's range of Modular Towers and Columns are a practical and economic solution to many commercial and industrial CCTV installations. Sectional construction means economic shipping and easy installation in more inaccessible locations.

We offer the most comprehensive range available with tilt-down models up to 15 metres and fixed models up to 25 metres with telescopic, cabinet based and internally cabled products completing the range.

Altron's numerous security design features ensure a good level of resistance against vandal attacks.



ACC2FBLA

Fixed height range 4.5m - 10m
Tilt-down height range 4.5m - 15m

Altron Camera Columns, a cost effective and comprehensive range with most models available 'ex stock', offering a good level of security. Suitable for installations where the public has access - tilt-down models have internal padlock facility. The range is generally for light to medium fixed and PTZ applications, but there are also heavy duty (HD) options for high loading PTZ and dual lighting & CCTV applications.

Typically used for the following types of installation

- o Industrial and commercial premises
- o Perimeter detection
- o Utilities sites
- o Schools and universities
- o Railway platforms & car parks
- o Car parks
- o Petrochemical sites
- o Sports stadia

Security Features

- o Internal cabling
- o Internal padlock facility on tilt-down models to protect against unauthorised lowering
- o Close fitting flush doors
- o Solid secure heavy duty door locks

General Features

- o Modular construction for ease of assembly and installation on site
- o Ideal for restricted access areas
- o Provides stable mounting platform for all camera types
- o Demountable winches ensure tilt down models are secure and reduces costs on multiple installations
- o Tilt Down models enable camera maintenance at ground level, therefore reducing maintenance costs
- o Tilt Down models available in both bolt down and post mounted base versions
- o A wide range of standard Altron Accessories and Brackets available ex stock
- o Quick turnaround for larger projects
- o Constructed in high tensile steel and hot dip galvanised after fabrication for durability
- o Option of painting over the galvanised finish in colours available from BS and RAL colour charts
- o For design, manufacturing and finishing standards, see details on page 107



Tilt-down columns have the facility to be padlocked internally



All columns have flush fitting doors

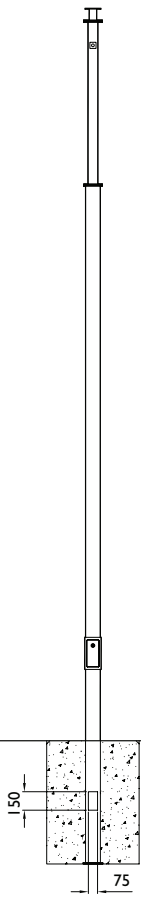


ACC2BPLA in tilted position

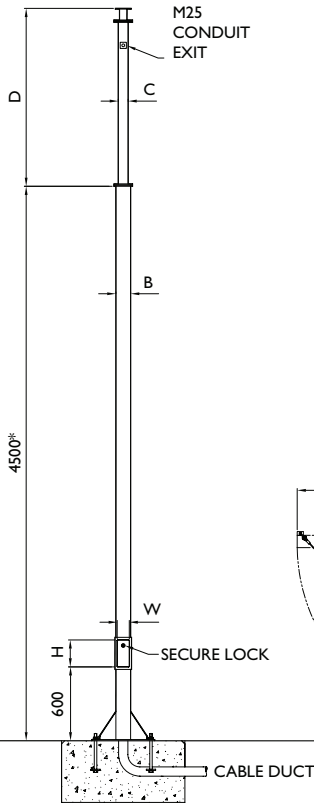
ACC Modular Columns ← Technical Specifications

ACC

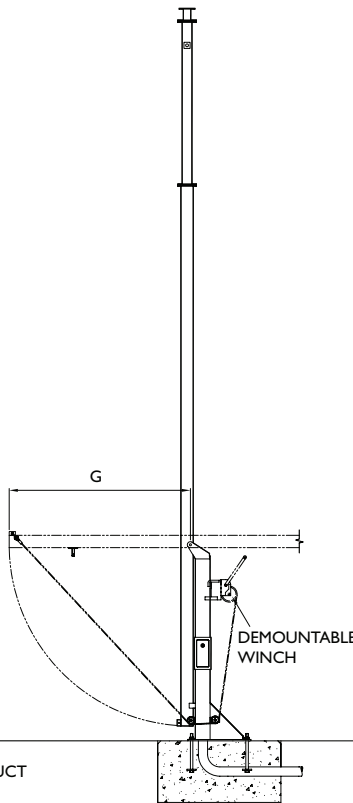
EB
Embedded Base



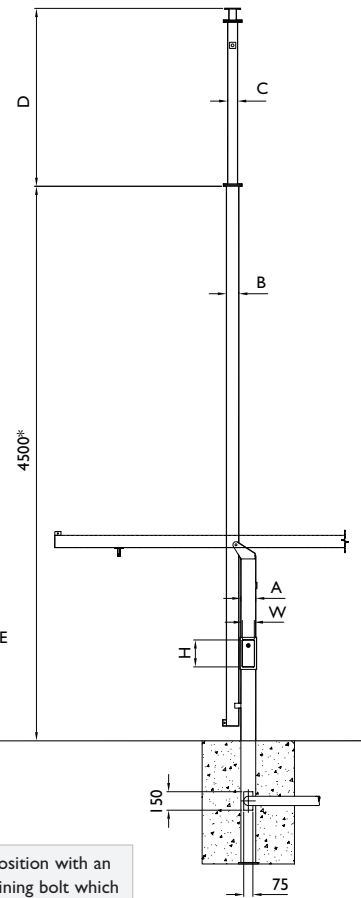
FB
Fixed Base



BP
Base Post



PM
Post Mounted



All camera mounting plates are \varnothing 127 with 8 No \varnothing 8.5 equi-spaced on 101.6 PCD. \varnothing 40 thro' column spacer

Tilt down columns are fixed in the vertical position with an M20/M24 nut screwed onto the column retaining bolt which enters into the secure access hatch through the front of the post. This is then padlockable to stop unauthorised tilting.

FOR FOUNDATION AND BOLTING DETAILS REFER TO PAGE 21

* On models ACC4HD, ACC12 & ACC15 this dimension = 4900

Model No.	Height in mtrs	Post type	Max equip weight at top kgs	Max equip surface area m ²	Post size A ²	Lower section B ²	Mid section B ²	Upper section C ²	Extension length D mtrs	Door aperture size HxW	Column Rear clearance when tilting G	Winch part number	Product weight kgs	
ACC1 Standard Duty	4.5	FB/EB	35	0.3	-	100	-	-	-	250x70	-	-	68	
		PM	35	0.3	120	100	-	-	-	270x80	1700	DW1000/AC	100	
		BP	35	0.3	120	100	-	-	-	270x80	1700	DW1000/AC	115	
ACC2 Standard Duty	6	FB/EB	25	0.2	-	120	-	90	1.5	270x80	-	-	114	
		PM	25	0.2	120	100	-	80	1.5	270x80	1700	DW1000/AC	115	
		BP	25	0.2	120	100	-	80	1.5	270x80	1700	DW1000/AC	130	
ACC2HD 6 Heavy Duty	6	FB/EB	35	0.3	-	150	-	100	1.5	280x110	-	-	144	
		PM	35	0.3	120	120	-	90	1.5	270x80	1700	DW1000/AC	138	
		BP	35	0.3	120	120	-	90	1.5	270x80	1700	DW1000/AC	157	
ACC3 Standard Duty	7.5	FB/EB	25	0.2	-	150	-	100	3	280x110	-	-	161	
		PM	25	0.2	150	120	-	90	3	280x110	2000	DW1500/AC	189	
		BP	25	0.2	150	120	-	90	3	280x110	2000	DW1500/AC	193	
ACC3HD 7.5 Heavy Duty	7.5	FB/EB	50	0.3	-	200	-	120	3	315x150	-	-	178	
		PM	50	0.3	150	150	-	100	3	280x110	2000	DW1500/ACHD	218	
		BP	50	0.3	150	150	-	100	3	280x110	2000	DW1500/ACHD	222	
ACC4 Standard Duty	9	FB/EB	25	0.16	-	150	-	100	4.4	280x110	-	-	197	
		PM	25	0.16	150	150	-	100	4.4	280x110	2000	DW2500/AC	244	
		BP	25	0.16	150	150	-	100	4.4	280x110	2000	DW2500/AC	248	
ACC4HD 10 Heavy Duty	10	FB/EB	50	0.5	-	200	-	150	4.9	315x150	-	-	305	
		PM	50	0.5	200	200	-	150	4.9	315x150	2400	DW2500/ACHD	492	
		BP	50	0.5	200	200	-	150	4.9	315x150	2400	DW2500/ACHD	500	
ACC12	12	PM	35	0.3	200	200	150	100	i 4.9	ii 4.9	315x150	2400	DW2500/ACHD	518
		BP	35	0.3	200	200	150	100	4.9	4.9	315x150	2400	DW2500/ACHD	526
ACC15	15	PM	25	0.16	200	200	150	100	4.9	4.9	315x150	2400	DW2500/ACHD	555
		BP	25	0.16	200	200	150	100	4.9	4.9	315x150	2400	DW2500/ACHD	563

Where payloads are greater than those stated above, please contact Altron
EB Version is directly embedded
All dimensions in mm unless stated otherwise

Accessories

Top mounting brackets for Fixed and PTZ cameras	P76
Swanneck brackets for Dome cameras	P81
Anti-climb guards	P77
Clamp-on camera mounting brackets	P78
Telemetry box mounting brackets	P77
Column top mounting cages	P83

Quick reference

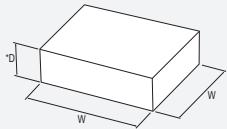
Single fixed camera knuckle	PTS-1
Twin fixed camera bracket	TB2-600F
Half swanneck for dome	AWI699H
Full swanneck for dome	AWI699F
Anti climb guard	SGC
Telemetry bracket	ATBC

→ Modular Towers & Columns Foundation & Bolting Details

MODEL NO.	HEIGHT MTRS	BOLT CENTRES I ²	BASE PLATE SIZE H ²	SERVICE ENTRY SIZE	SERVICE C ENTRY OFFSET (BP MODELS)	HOLDING DOWN BOLT SIZE D x L	FOUNDATION SIZES FOR THE UK									
							COUNTRY LOCATION			TOWN LOCATION						
							AREA A	AREA B	AREA C	AREA A	AREA B	AREA C				
ACC-FB - Fixed Base columns																
ACC1/FB	4.5	350	405	90x90		M16x245	1.0 x 1.0 x 0.5	1.1 x 1.1 x 0.55	1.1 x 1.1 x 0.55	0.9 x 0.9 x 0.5	1.0 x 1.0 x 0.5	1.0 x 1.0 x 0.5	1.0 x 1.0 x 0.5	1.1 x 1.1 x 0.55	1.1 x 1.1 x 0.55	
ACC2/FB	6	450	510	110x110		M20x325	1.1 x 1.1 x 0.55	1.2 x 1.2 x 0.6	1.2 x 1.2 x 0.6	1.0 x 1.0 x 0.5	1.1 x 1.1 x 0.55	1.1 x 1.1 x 0.55	1.1 x 1.1 x 0.55	1.2 x 1.2 x 0.6	1.2 x 1.2 x 0.6	
ACC2/FB/HD	6	450	510	140x140		M20x325	1.2 x 1.2 x 0.6	1.3 x 1.3 x 0.65	1.3 x 1.3 x 0.65	1.1 x 1.1 x 0.55	1.2 x 1.2 x 0.6	1.2 x 1.2 x 0.6	1.2 x 1.2 x 0.6	1.3 x 1.3 x 0.65	1.3 x 1.3 x 0.65	
ACC3/FB	7.5	450	510	140x140		M20x325	1.3 x 1.3 x 0.65	1.4 x 1.4 x 0.7	1.4 x 1.4 x 0.7	1.2 x 1.2 x 0.6	1.3 x 1.3 x 0.65	1.3 x 1.3 x 0.65	1.3 x 1.3 x 0.65	1.4 x 1.4 x 0.7	1.4 x 1.4 x 0.7	
ACC3/FB/HD	7.5	550	630	180x180		M24x425	1.4 x 1.4 x 0.7	1.5 x 1.5 x 0.75	1.5 x 1.5 x 0.75	1.3 x 1.3 x 0.65	1.4 x 1.4 x 0.7	1.4 x 1.4 x 0.7	1.4 x 1.4 x 0.7	1.5 x 1.5 x 0.75	1.5 x 1.5 x 0.75	
ACC4/FB	9	550	630	140x140		M24x425	1.4 x 1.4 x 0.7	1.5 x 1.5 x 0.75	1.6 x 1.6 x 0.8	1.3 x 1.3 x 0.65	1.4 x 1.4 x 0.7	1.4 x 1.4 x 0.7	1.4 x 1.4 x 0.7	1.5 x 1.5 x 0.75	1.5 x 1.5 x 0.75	
ACC4/FB/HD	9	550	630	180x180		M24x425	1.8 x 1.8 x 0.9	1.8 x 1.8 x 0.9	2.0 x 2.0 x 1.0	1.7 x 1.7 x 0.9	1.8 x 1.8 x 0.9	1.8 x 1.8 x 0.9	1.8 x 1.8 x 0.9	1.8 x 1.8 x 0.9	1.8 x 1.8 x 0.9	
ACC-BP(PM) - Base Post (Post Mounted) columns																
ACC1/BP	4.5	450	510	110x110	90	M20x325	1.0 x 1.0 x 0.5	1.1 x 1.1 x 0.55	1.1 x 1.1 x 0.55	0.9 x 0.9 x 0.5	1.0 x 1.0 x 0.5	1.0 x 1.0 x 0.5	1.0 x 1.0 x 0.5	1.1 x 1.1 x 0.55	1.1 x 1.1 x 0.55	
ACC2/BP	6	450	510	110x110	90	M20x325	1.1 x 1.1 x 0.55	1.2 x 1.2 x 0.6	1.2 x 1.2 x 0.6	1.0 x 1.0 x 0.5	1.1 x 1.1 x 0.55	1.1 x 1.1 x 0.55	1.1 x 1.1 x 0.55	1.2 x 1.2 x 0.6	1.2 x 1.2 x 0.6	
ACC2/BP/HD	6	450	510	110x110	90	M20x325	1.2 x 1.2 x 0.6	1.2 x 1.2 x 0.6	1.3 x 1.3 x 0.65	1.1 x 1.1 x 0.55	1.2 x 1.2 x 0.6	1.2 x 1.2 x 0.6	1.2 x 1.2 x 0.6	1.3 x 1.3 x 0.65	1.3 x 1.3 x 0.65	
ACC3BP	7.5	550	630	140x140	105	M24x425	1.3 x 1.3 x 0.65	1.3 x 1.3 x 0.65	1.4 x 1.4 x 0.7	1.2 x 1.2 x 0.6	1.3 x 1.3 x 0.65	1.3 x 1.3 x 0.65	1.3 x 1.3 x 0.65	1.4 x 1.4 x 0.7	1.4 x 1.4 x 0.7	
ACC3BP/HD	7.5	550	630	140x140	105	M24x425	1.3 x 1.3 x 0.65	1.4 x 1.4 x 0.7	1.5 x 1.5 x 0.75	1.3 x 1.3 x 0.65	1.3 x 1.3 x 0.65	1.3 x 1.3 x 0.65	1.3 x 1.3 x 0.65	1.4 x 1.4 x 0.7	1.4 x 1.4 x 0.7	
ACC4/BP	9	550	630	140x140	105	M24x425	1.4 x 1.4 x 0.7	1.5 x 1.5 x 0.75	1.6 x 1.6 x 0.8	1.3 x 1.3 x 0.65	1.4 x 1.4 x 0.7	1.4 x 1.4 x 0.7	1.4 x 1.4 x 0.7	1.5 x 1.5 x 0.75	1.5 x 1.5 x 0.75	
ACC4/BP/HD	10	700	800	180x180	150	M27x600	1.8 x 1.8 x 0.9	1.8 x 1.8 x 0.9	2.0 x 2.0 x 1.0	1.7 x 1.7 x 0.9	1.8 x 1.8 x 0.9	1.8 x 1.8 x 0.9	1.8 x 1.8 x 0.9	1.8 x 1.8 x 0.9	1.8 x 1.8 x 0.9	
ACC12/BP	12	700	800	180x180	150	M27x600	1.8 x 1.8 x 0.9	1.9 x 1.9 x 1.0	2.0 x 2.0 x 1.0	1.7 x 1.7 x 0.9	1.8 x 1.8 x 0.9	1.8 x 1.8 x 0.9	1.9 x 1.9 x 0.9	1.9 x 1.9 x 0.9	1.9 x 1.9 x 0.9	
ACC15/BP	15	700	800	180x180	150	M27x600	2.0 x 2.0 x 1.0	2.0 x 2.0 x 1.0	2.2 x 2.2 x 1.1	1.8 x 1.8 x 0.9	2.0 x 2.0 x 1.0	2.0 x 2.0 x 1.0	2.0 x 2.0 x 1.0	2.0 x 2.0 x 1.0	2.0 x 2.0 x 1.0	
ACT-BP-PM-FB- standard towers (HD bolts not used on FB towers)																
ACT1	4.5	450	510	110x110	90	M20x325	1.1 x 1.1 x 0.55	1.1 x 1.1 x 0.55	1.2 x 1.2 x 0.6	1.0 x 1.0 x 0.5	1.0 x 1.0 x 0.5	1.1 x 1.1 x 0.55	1.1 x 1.1 x 0.55	1.2 x 1.2 x 0.6	1.2 x 1.2 x 0.6	
ACT2	6	450	510	110x110	90	M20x325	1.2 x 1.2 x 0.6	1.2 x 1.2 x 0.6	1.3 x 1.3 x 0.65	1.1 x 1.1 x 0.55	1.1 x 1.1 x 0.55	1.1 x 1.1 x 0.55	1.1 x 1.1 x 0.55	1.2 x 1.2 x 0.6	1.2 x 1.2 x 0.6	
ACT3	7.5	450	510	110x110	90	M20x325	1.2 x 1.2 x 0.6	1.2 x 1.2 x 0.6	1.3 x 1.3 x 0.65	1.1 x 1.1 x 0.55	1.1 x 1.1 x 0.55	1.1 x 1.1 x 0.55	1.1 x 1.1 x 0.55	1.2 x 1.2 x 0.6	1.2 x 1.2 x 0.6	
ACT3/HD	7.5	550	630	140x140	105	M24x425	1.3 x 1.3 x 0.65	1.4 x 1.4 x 0.7	1.4 x 1.4 x 0.7	1.2 x 1.2 x 0.6	1.2 x 1.2 x 0.6	1.2 x 1.2 x 0.6	1.3 x 1.3 x 0.65	1.3 x 1.3 x 0.65	1.3 x 1.3 x 0.65	
ACT4/HD	9	550	630	140x140	105	M24x425	1.3 x 1.3 x 0.65	1.4 x 1.4 x 0.7	1.4 x 1.4 x 0.7	1.2 x 1.2 x 0.6	1.3 x 1.3 x 0.65	1.3 x 1.3 x 0.65	1.3 x 1.3 x 0.65	1.3 x 1.3 x 0.65	1.3 x 1.3 x 0.65	
ACT12	12	550	630	160x160	105	M24x425	1.4 x 1.4 x 0.7	1.5 x 1.5 x 0.75	1.6 x 1.6 x 0.8	1.3 x 1.3 x 0.65	1.4 x 1.4 x 0.7	1.4 x 1.4 x 0.7	1.4 x 1.4 x 0.7	1.4 x 1.4 x 0.7	1.4 x 1.4 x 0.7	
ACT14/BP/PM	14	700	800	230x230	150	M27x600	1.6 x 1.6 x 0.8	1.7 x 1.7 x 0.9	1.8 x 1.8 x 0.9	1.4 x 1.4 x 0.75	1.5 x 1.5 x 0.75	1.5 x 1.5 x 0.75	1.6 x 1.6 x 0.8	1.6 x 1.6 x 0.8	1.6 x 1.6 x 0.8	
ANCT - Nested towers																
ANCT/4	4	420	570	370x250		M24x425	1.1 x 1.1 x 0.55	1.1 x 1.1 x 0.55	1.2 x 1.2 x 0.6	1.0 x 1.0 x 0.5	1.0 x 1.0 x 0.5	1.1 x 1.1 x 0.55	1.1 x 1.1 x 0.55	1.2 x 1.2 x 0.6	1.2 x 1.2 x 0.6	
ANCT/6	6	420	570	370x250		M24x425	1.2 x 1.2 x 0.6	1.2 x 1.2 x 0.6	1.3 x 1.3 x 0.65	1.1 x 1.1 x 0.55	1.2 x 1.2 x 0.6	1.2 x 1.2 x 0.6	1.2 x 1.2 x 0.6	1.3 x 1.3 x 0.65	1.3 x 1.3 x 0.65	
ANCT/8	8	420	570	370x250		M24x425	1.3 x 1.3 x 0.65	1.3 x 1.3 x 0.65	1.4 x 1.4 x 0.7	1.2 x 1.2 x 0.6	1.2 x 1.2 x 0.6	1.2 x 1.2 x 0.6	1.2 x 1.2 x 0.6	1.3 x 1.3 x 0.65	1.3 x 1.3 x 0.65	
ANCT/10	10	420	570	370x250		M24x425	1.4 x 1.4 x 0.7	1.4 x 1.4 x 0.7	1.5 x 1.5 x 0.75	1.2 x 1.2 x 0.6	1.3 x 1.3 x 0.65	1.3 x 1.3 x 0.65	1.4 x 1.4 x 0.7	1.4 x 1.4 x 0.7	1.4 x 1.4 x 0.7	
AW1697 - cabinet based tilt-down columns																
AW1697/4.5	4.5m	450	510	430x280		M20x325	1.0 x 1.0 x 0.5	1.1 x 1.1 x 0.55	1.1 x 1.1 x 0.55	0.9 x 0.9 x 0.5	1.0 x 1.0 x 0.5	1.0 x 1.0 x 0.5	1.0 x 1.0 x 0.5	1.1 x 1.1 x 0.55	1.1 x 1.1 x 0.55	
AW1697/6	6m	450	510	430x280		M20x325	1.1 x 1.1 x 0.55	1.2 x 1.2 x 0.6	1.2 x 1.2 x 0.6	1.0 x 1.0 x 0.5	1.1 x 1.1 x 0.55	1.1 x 1.1 x 0.55	1.1 x 1.1 x 0.55	1.2 x 1.2 x 0.6	1.2 x 1.2 x 0.6	
AW1697/6HD	6m	450	510	430x280		M20x325	1.2 x 1.2 x 0.6	1.2 x 1.2 x 0.6	1.3 x 1.3 x 0.65	1.1 x 1.1 x 0.55	1.2 x 1.2 x 0.6	1.2 x 1.2 x 0.6	1.2 x 1.2 x 0.6	1.3 x 1.3 x 0.65	1.3 x 1.3 x 0.65	
AW1697/7.5	7.5m	550	630	430x280		M24x425	1.3 x 1.3 x 0.65	1.3 x 1.3 x 0.65	1.4 x 1.4 x 0.7	1.2 x 1.2 x 0.6	1.3 x 1.3 x 0.65	1.3 x 1.3 x 0.65	1.3 x 1.3 x 0.65	1.4 x 1.4 x 0.7	1.4 x 1.4 x 0.7	
AW1697/7.5HD	7.5m	550	630	430x280		M24x425	1.3 x 1.3 x 0.65	1.4 x 1.4 x 0.7	1.5 x 1.5 x 0.75	1.3 x 1.3 x 0.65	1.3 x 1.3 x 0.65	1.3 x 1.3 x 0.65	1.3 x 1.3 x 0.65	1.4 x 1.4 x 0.7	1.4 x 1.4 x 0.7	
AW1697/9	9m	550	630	430x280		M24x425	1.4 x 1.4 x 0.7	1.5 x 1.5 x 0.75	1.6 x 1.6 x 0.8	1.3 x 1.3 x 0.65	1.4 x 1.4 x 0.7	1.4 x 1.4 x 0.7	1.4 x 1.4 x 0.7	1.5 x 1.5 x 0.75	1.5 x 1.5 x 0.75	
AW1697/9HD	10m	700	800	430x280		M27x600	1.8 x 1.8 x 0.9	1.8 x 1.8 x 0.9	2.0 x 2.0 x 1.0	1.7 x 1.7 x 0.9	1.8 x 1.8 x 0.9	1.8 x 1.8 x 0.9	1.8 x 1.8 x 0.9	1.8 x 1.8 x 0.9	1.8 x 1.8 x 0.9	
AW1697/12	12m	700	800	430x280		M27x600	1.8 x 1.8 x 0.9	1.9 x 1.9 x 1.0	2.0 x 2.0 x 1.0	1.7 x 1.7 x 0.9	1.8 x 1.8 x 0.9	1.8 x 1.8 x 0.9	1.9 x 1.9 x 0.9	1.9 x 1.9 x 0.9	1.9 x 1.9 x 0.9	
AW1697/15	15m	700	800	430x280		M27x600	2.0 x 2.0 x 1.0	2.0 x 2.0 x 1.0	2.2 x 2.2 x 1.1	1.8 x 1.8 x 0.9	2.0 x 2.0 x 1.0	2.0 x 2.0 x 1.0	2.0 x 2.0 x 1.0	2.0 x 2.0 x 1.0	2.0 x 2.0 x 1.0	
ACC - Telescopic columns																
ACC/TEL/4	4m	350	405	90x90		M16x245	0.9 x 0.9 x 0.5	0.9 x 0.9 x 0.5	1.0 x 1.0 x 0.5	0.9 x 0.9 x 0.5	0.9 x 0.9 x 0.5	0.9 x 0.9 x 0.5	0.9 x 0.9 x 0.5	0.9 x 0.9 x 0.5	0.9 x 0.9 x 0.5	
ACC/TEL/6	6m	450	510	110x110		M20x325	1.1 x 1.1 x 0.55	1.2 x 1.2 x 0.6	1.2 x 1.2 x 0.6	1.1 x 1.1 x 0.55	1.1 x 1.1 x 0.55	1.1 x 1.1 x 0.55	1.1 x 1.1 x 0.55	1.2 x 1.2 x 0.6	1.2 x 1.2 x 0.6	
ACC/TEL/8	8m	450	510	110x110		M20x325	1.2 x 1.2 x 0.6	1.3 x 1.3 x 0.65	1.3 x 1.3 x 0.65	1.1 x 1.1 x 0.55	1.2 x 1.2 x 0.6	1.2 x 1.2 x 0.6	1.3 x 1.3 x 0.65	1.3 x 1.3 x 0.65	1.3 x 1.3 x 0.65	

Table dimensions in mm

Foundation sizes in table are W x W x D
Dimensions in metres



*D= 1000 on PM and buried flange/embedded base models

- For area D locations and exposed locations over 100m above sea level for areas A, B and 150m above sea level for area C, we recommend increased foundation sizes. Please refer to the table on page 101 for conformation of these.
- A minimum soil bearing capacity of 75 kN/m² is assumed.
- Foundation base dimensions are typical and may vary depending on site conditions.
- Please refer to the foundations & windloading section on pages 101-103 for further guidance.

REFER TO INSTALLATION METHODS ON PAGES 104-106

GALVANISED HOLDING DOWN BOLTS

