

FOR A GOOD **REASON**  
**GRUNDIG**

**Owner's Manual**



**Housings & Brackets**

---

GBR-IC06      Ceiling Flush Mount Adapter

---

GBR-IC06.122.1.08.08.2013

© ASP AG



---

---

**Content:**

<b>1. Introduction</b>	<b>1</b>
<b>2. Package Contents &amp; Needed Items</b>	<b>1</b>
<b>3. Installation</b>	<b>2</b>
1. Installation Remarks	
2. Installation of the Ceiling Flush Mount Adapter	2

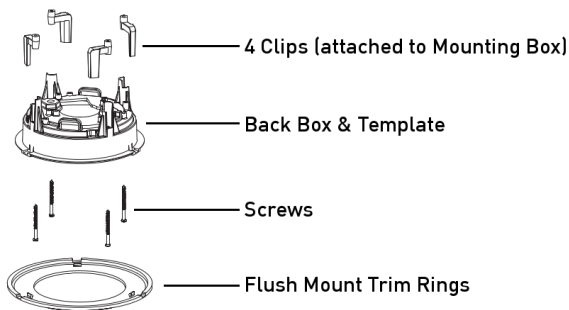
---

**1. Introduction**

The Dome Cameras GCA-B4322D, GCA-B4325D, GCA-B4326D and GCA-B4327D can be mounted with this optional Ceiling Flush Mount Adapter. The items and tools needed for the in-ceiling installation are listed as follows.

**2. Package Contents & Needed Items**

These parts are included:

**3. Installation****3.1. Installation Remarks**

Make sure that the ceiling material is strong enough to hold both the video camera's and Ceiling Flush Mount Adapter's gross weights.

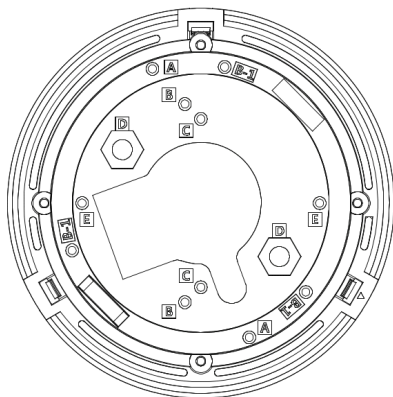
Check that the thickness of the ceiling is between 6 mm and 30 mm.

Make a  $\varnothing$  150 mm hole in the ceiling (please see the special mounting template/mask that is included in the package).

---

### 3.2. Installation of the Ceiling Flush Mount Adapter

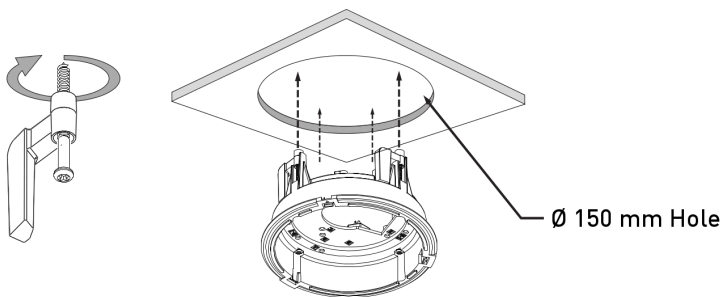
1. Attach the camera to the Back Box using the holes as listed below. There are Screws provided with each individual camera for this purpose.



2. Make a hole in the wall or ceiling using the supplied template as a guide.

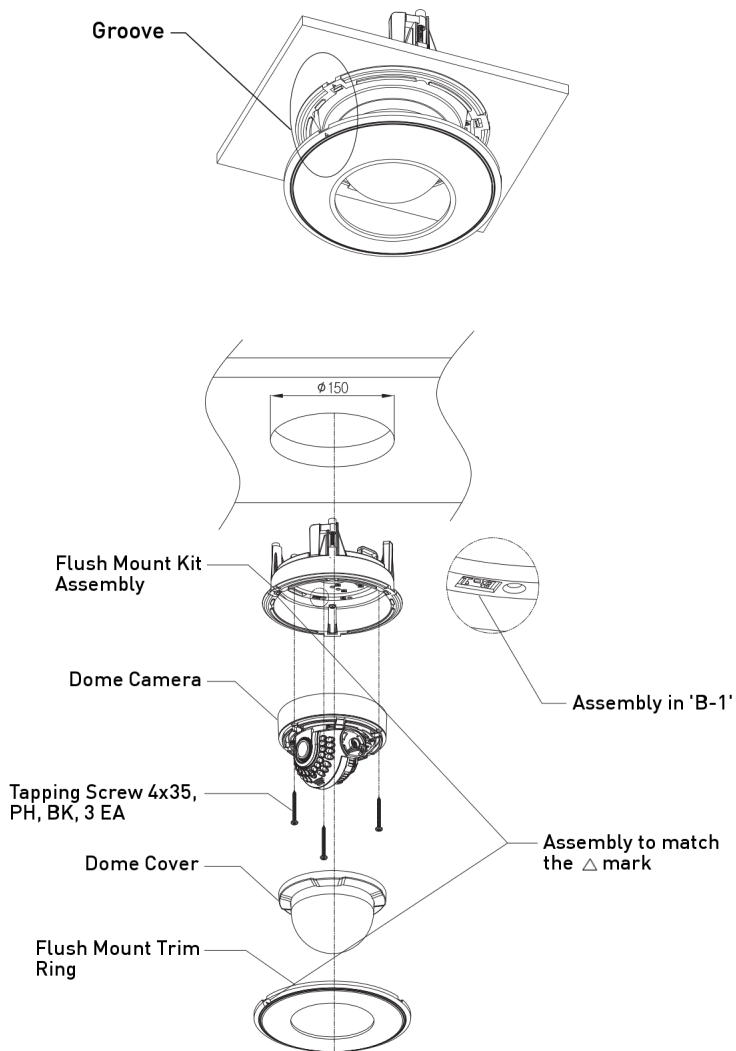
3. Insert the Back Box with the attached camera into the hole.

4. Tighten the 4 screws to secure the Clips to the mounting surface.



---

5. Snap the Trim Ring (Proper Size) onto the Back Box as shown below.



---

---

**Specifications GBR-IC06**

---

Suitable for	GCA-B4322D, GCA-B4325D, GCA-B4326D, GCA-B4327D
Body material	Plastic
Colour	RAL 9003
Weight	0.25 kg
Dimensions (wxhxd)	ø 190 x 85 mm

---