

FOR A GOOD **REASON**
GRUNDIG

Owner's Manual

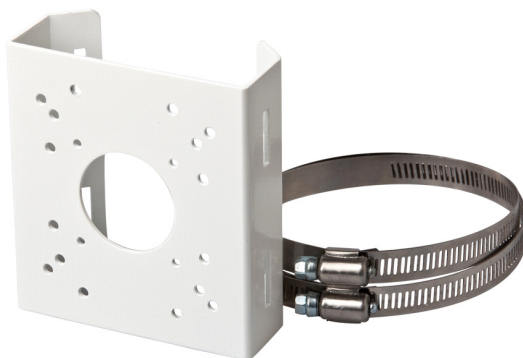


Housings & Brackets

GBR-PM02 Pole Mount Adapter

GBR-PM02.120.1.09.07.2013

© ASP AG



Content:

| | |
|---|----------|
| 1. Introduction | 1 |
| 2. Package Contents & Needed Items | 1 |
| 3. Installation | 2 |

1. Introduction

The GBR-PM02 can be used to mount the cameras GCA-B2326T, GCA-B2357T, GCA-B3326T, GCH-B0326T, GCA-B432xV, GCA-B532xV to a pole or cylinder. A combination with GBR-WA04 and GBR-FB03 is also possible. The items and tools needed for this mounting are listed as follows.

2. Package Contents & Needed Items

Package Content:

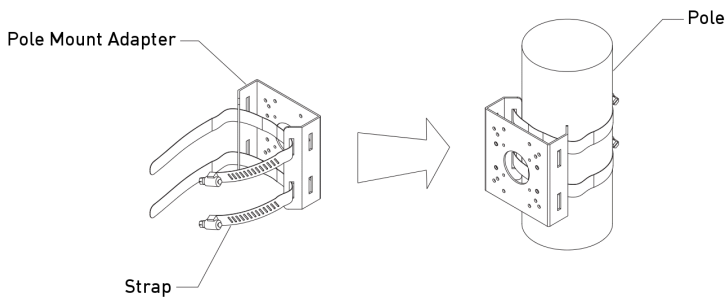
- Pole Bracket
- 4x Tapping Screw (Phillips Screw) T1 4x25
- 4x Hexagon Screw M5x15
- 2x Metal Straps
- Installation Instructions

Tools/Items needed:

- Allen Wrench (4mm) - (included in the package of the camera)
- Phillips Screw Driver

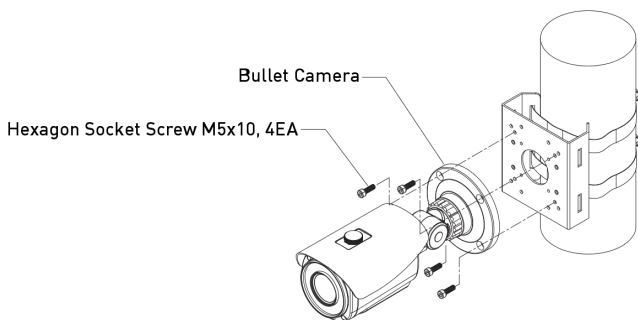
3. Installation

1. Install the Pole Bracket on a Pole by using straps (two straps are included in the package).

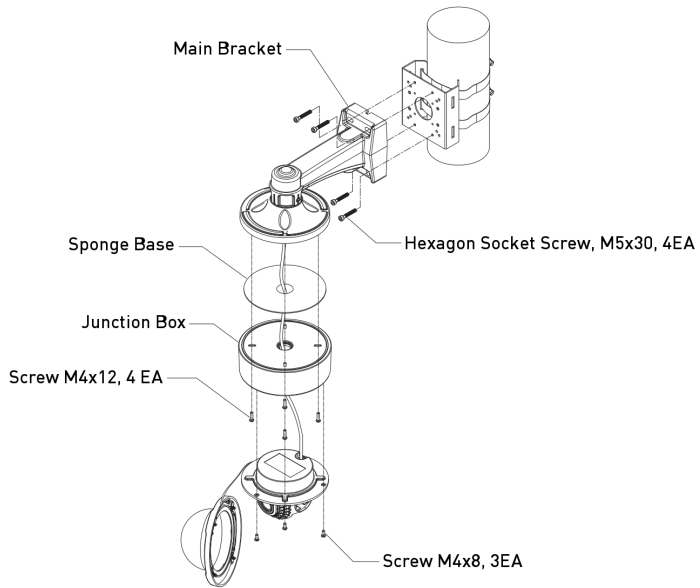


2. There are different possibilities now.

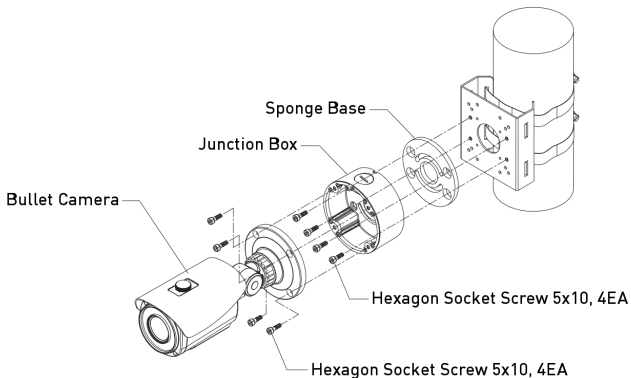
One possibility is: you install directly a camera on the Pole Bracket, like shown in the picture below.



Another possibility is to use the GBR-WA04, and then to mount a matching Vandaldome Camera on it, like shown in the picture below.



Furthermore, it is possible to use the GBR-FB03 and to mount a matching Integrated Camera/Bullet Camera on it.



Make sure the cables are led freely through the Bracket as shown in the previous drawing and that all screws are fixed tightly.

Specifications GBR-PM02

| | |
|--------------------|--|
| Suitable for | GBR-WA04, GBR-FB03, GCA-B2326T, GCA-B2357T, GCH-B0326T, GCA-B3326T, GCA-B432xV, GCA-B532xV |
| Body material | Steel |
| Colour | White |
| Pole | Ø 90 to 150 mm |
| Weight | 0.3 kg |
| Dimensions (wxhxd) | 100 × 110 × 45 mm |