

FOR A GOOD **REASON**
GRUNDIG

Owner's Manual



Housings & Brackets

GBR-CE02 Pendant Mount Bracket

GBR-CE02.119.1.09.07.2013

© ASP AG



Content:

1. Introduction	1
2. Package Contents & Needed Items	1
3. Installation	1
1. Installation Remarks	1
2. Mounting	2

1. Introduction

The Pendant Mount Bracket GBR-CE02 can be used to mount the cameras GCA-B4323V, GCA-B4325V, GCA-B4326V, GCA-B4327V, GCA-B5325V, GCA-B5326V to a ceiling. Also a combination with the wedge base GBR-WB02 is possible. The items and tools needed for the mounting are listed as follows.

2. Package Contents & Needed Items

Package Content:

- Pendant Mount
- 4x Screw (Phillips Screw) M4x12
- 4x Hexagon Socket Screw M5x10
- 4x Phillips Screw T1 4x25
- 2x 1 Set Hexagon Socket Screw M8x8
- Allen Wrench (4mm)
- Installation Instructions
- Mounting Template

Tools needed:

- Tool for drilling
- Phillips Screw Driver

3. Installation**3.1. Installation Remarks**

Install the mount onto a strong structure such as a concrete ceiling, steel beam, etc.

Avoid installing the mount onto an unstable structure such as a gypsum ceiling panel.

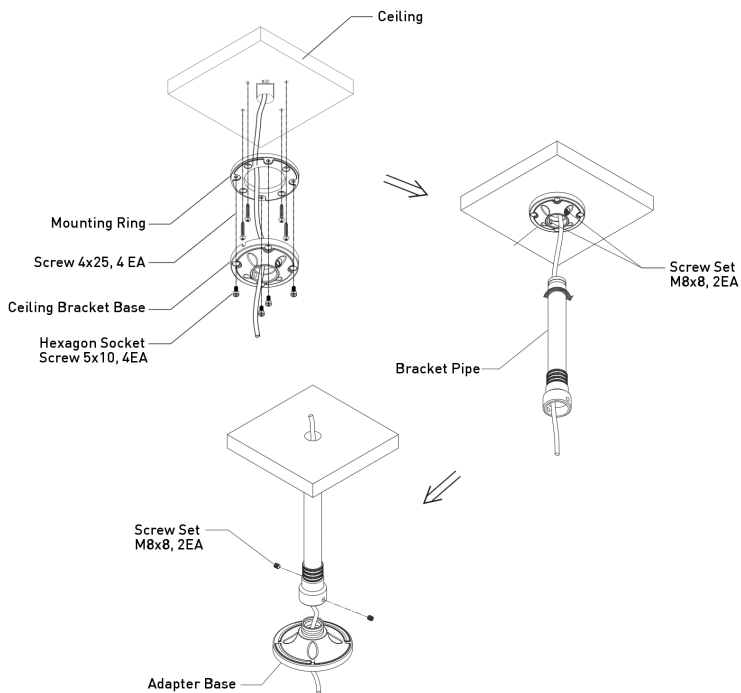
When installing the mount onto concrete, only use specific concrete screws and plugs, all the screw parts must be metallic.

When installing the mount onto wood avoid screwing too close to the edge of a piece of wood.

3.2. Mounting

Mark the screwing holes using the included Mounting Template and drill the holes.

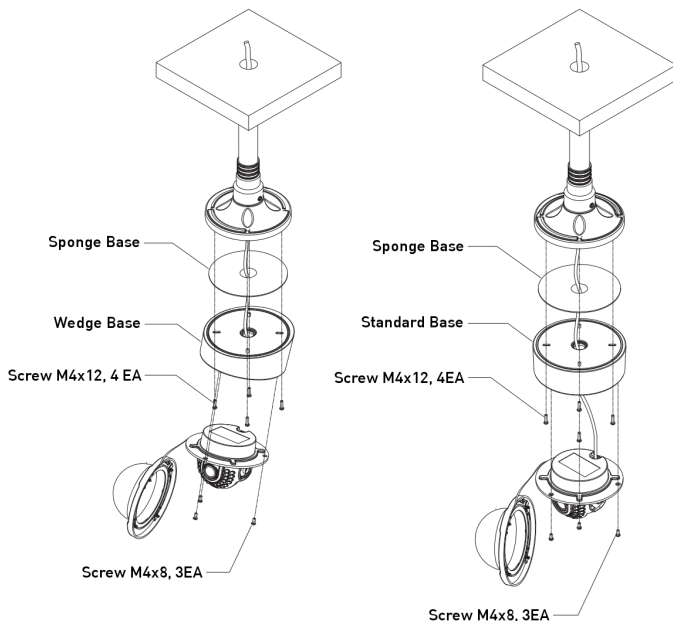
Connect the Ceiling Bracket Base with the Mounting Ring as shown in the drawing to the ceiling. Connect the Bracket Pipe as shown in the drawing to the Ceiling Bracket Base. Connect the Adapter Base to the Bracket Pipe as shown in the drawing.



Connect the Sponge Base and the Standard Base or the Wedge Base GBR-WB02 as shown in the drawing to the Adapter Base.

Make sure the cables are freely led through the Standard Base or Wedge Base as shown in the drawing and that all screws are fixed tightly.

Connect the Camera to the Standard Base or Wedge Base as shown in the drawing.



Specifications GBR-CE02

Suitable for	GCA-B4323V, GCA-B4325V, GCA-B4326V, GCA-B4327V, GCA-B5325V, GCA-B5326V
Body material	Aluminium alloy
Colour	White
Weight	0.8 kg
Dimensions (wxhxd)	Ø100 x 345-550 x Ø145 mm

EN: Attention: Please do not make any page size adjustments in the printer settings when printing this Mounting Template. / DE: Achtung: Beim Drucken dieser Bohrschablone nehmen Sie bitte keine Anpassung der Seitengröße in den Druckereinstellungen vor. / FR: Attention: Veuillez à ne pas ajuster les proportions d'impression de la page de gabarit, car cela pourrait fausser le percement. / IT: Attenzione: Si prega di non eseguire alcuna regolazione delle dimensioni della pagina e non modificare le impostazioni della stampante quando si stampa questa dima di montaggio. / ES: Precaución: No realice cambios en los ajustes del tamaño de página en la configuración de la impresora al imprimir esta Plantilla de Montaje. / PL: Uwaga: Proszę nie robić zmiany parametrów wymiarów strony przed drukowaniem. / RU: Внимание: Пожалуйста, не делайте никаких корректировок в настройках принтера, при печати этого руководства пользователя. / TR: Dikkat: Lütfen bu Montaj Şablonu'nun çıktısını alırken yazıcının ayarlarında herhangi bir sayfa boyutu ayarı yapmayınız.

