

# GCA-B2357T

1/4" CCD Bullet Camera 3.8~38 mm AFZ ICR 35 IR LED 700L ext. adj.



- Auto Focus Zoom lens 3,8 ~ 38 mm external adjustment
- 0 Lux: Integrated LED IR Illuminator
- Concealed Cable Management
- Built-in Service Monitor Port & OSD Control Port
- F-DNR Fog Digital Noise Reduction
- Video Enhancement: BLC, HSBLC, DNR
- Extended Temperature range -25°C ~ +55°C
- Support Dual Power AC24V/DC12V

## SUMMARY

---

Grundig Analogue DSP Cameras

High quality, reliable and effective.

Grundig analogue cameras have been designed and built to the very highest standards. Grundig has selected components which deliver outstanding image quality, including the very best image sensors, lenses and digital signal processors (DSPs). The cameras have been designed for up-to-date surveillance applications, incorporating functionality such as extended dynamic range (optional), motion adaptive digital noise reduction, intelligent video analytics and more.

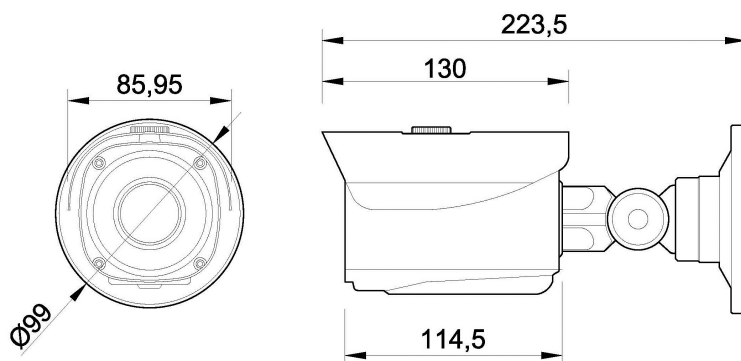
All the cameras in the Grundig analogue range have unique features in different housings to suit all eventualities. Outdoor options include Bullet cameras with infrared LED and vandal-resistant domes and indoor options include a large range of dome cameras

## SPECIFICATIONS

Image Sensor	1/4" CCD Sony 960H Ex-view HAD II
Scanning System	PAL, 50Hz, 625L (V), 2:1 Inter Line Transfer
Pixels - Effective	976(H) x 582(V)
Resolution	650 (H) lines colour, 700 (H) lines b&w
Col/B&W	Auto, Color, Removable IR-Cut Filter (ICR)
Sensitivity Colour	0.9 lux(50IRE)@F1.8 (SensUp=0, AGC Off), 0.00001 lux 15IRE (SensUpx256) F1.8
Sensitivity B&W	0 Lux LED IR on
Shutter Speed	AUTO, OFF, FLK, 1/250, 1/500, 1/1000, 1/2000, 1/5000, 1/10000, 1/20000, 1/50000, 1/100000
S/N Ratio	>52 dB
Lens Focal Length	3.8 ~ 38 mm
Viewing Angle	50°(W) ~ 5.5°(T)
Zoom Ratio	x 10
Lens Drive Type	Auto iris (DC)
Iris F-Number	F= 1.8 ~ 360
IR LED	35 pcs.
Optical Wavelength	850 nm
Max. IR Distance	30/45 m (according to scene reflexion)
Digital Zoom	Off/1 ~ 12x
Sens Up	Off ~ x256, auto
Motion Detection	On/ Off/ Sensitivity/ 4 Area setting
Number of Privacy Zones	8
BLC: Back Light	BLC, HSBL, OFF, d-WDR
Digital Noise Reduction (DNR)	OFF/ON/SMART (level 0~255)
OSD	Yes
Camera ID	20 character
White Balance	ATW, AWB, AWC-SET, MANUAL, INDOOR, OUTDOOR
Presettings	CUSTOM, SPEED DOME, IR MODE, INDOOR, OUTDOOR, LOW LIGHT, HALL WAY
Protection Rating	IP66
Video Outputs	1 CVBS 1 Vpp (BNC) & 1 test monitor out
Additional Features	Image: Freeze, Negative
Accessories included	Multi-Language Manual, Template, Cable for Service Monitor, Screws
Humidity	less than 90%, non condensing
Operating Temperature	-25°C ~ +55°C
Supply Voltage	12 VDC / 24 VAC
Power Consumption	7.8 (LED on) W
Weight	1.14 kg
Dimensions w*h*d	99 x 223.5 mm

## DIMENSIONS

---



## ACCESSORIES

---



GBR-FB03  
Connection Base



GBR-PM02  
Pole Mount Adapter