

GCA-B4326D

1/3" CCD Fixed Dome Camera 2.8~12 mm ICR 28 IR LED 700L



- Varifocal Lens: $f = 2.8 - 12$ mm, auto iris
- Removable IR CUT Filter (ICR) for high IR sensitivity at night mode
- Smart IR LED Control with adjustable level
- New and easy Zoom/Focus adjustment mechanic
- 3 Axis Gimbal, to mount on Wall or Ceiling
- Built-in Service Monitor Port & OSD Control Port
- Video Enhancement: ATR, BLC, HLC, DNR
- Support Dual Power AC24V/DC12V

SUMMARY

Grundig Analogue DSP Cameras

High quality, reliable and effective.

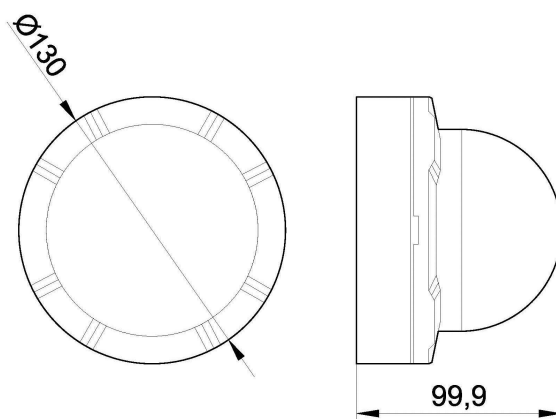
Grundig analogue cameras have been designed and built to the very highest standards. Grundig has selected components which deliver outstanding image quality, including the very best image sensors and digital signal processors (DSPs). The cameras have been designed for up-to-date surveillance applications, incorporating functionality such as extended dynamic range, digital noise reduction, high light compression and more.

All the cameras in the Grundig analogue range have unique features in different housings to suit all eventualities. Outdoor options include Bullet cameras with infrared LED and vandal-resistant domes and indoor options include a large range of dome cameras

SPECIFICATIONS

Image Sensor	1/3" CCD Sony 960H Ex-view HAD II
Scanning System	PAL, 50Hz, 625L (V), 2:1 Inter Line Transfer
Pixels - Effective	976(H) x 582(V)
Resolution	650 (H) lines colour, 700 (H) lines b&w
Col/B&W	Auto, Color, Removable IR-Cut Filter (ICR)
Sensitivity Colour	0.8 lux(50IRE)@F1.4 (SensUp=0, AGC Off)
Sensitivity B&W	0 Lux LED IR on
High Speed Shutter	1/50 ~ 1/10.000 sec, auto
S/N Ratio	>52dB (AGC off)
Lens Focal Length	2.8 ~ 12 mm
Viewing Angle	97° ~ 24°
Lens Drive Type	Auto iris (DC)
Iris F-Number	F= 1.4 ~ 360
Motion Detection	On/ Off/ Sensitivity/ 4 Area setting
Number of Privacy Zones	4
BLC	BLC / HLC / off
AGC	Off, On (x0.25/x0.5/x0.75/x1)
Digital Noise Reduction (DNR)	Off, On 2D
OSD	Yes (DE,EN,ES,FR,RU,PT,JP)
Camera ID	52 character, 2 lines
White Balance	ATW/Push/User1/User2/AntiCR/Manual/Push Lock
IR LED	28 pcs.
Optical Wavelength	850 nm
Max. IR Distance	15/25 m (according to scene reflexion)
Video Outputs	1 CVBS 1 Vpp (BNC) & 1 test monitor out
Accessories included	Multi-Language Manual, Template, Cable for Service Monitor, Screws, Anchors, screw driver for Zoom and Focus adjustment
Humidity	less than 90%, non condensing
Operating Temperature	-25°C ~ +55°C
Supply Voltage	12 VDC / 24 VAC
Power Consumption	1.7 (4.1 LED on) W
Weight	0.5 kg
Dimensions w*h*d	Ø 130 x 99.9 mm

DIMENSIONS



ACCESSORIES



GBR-WA05
Wall bracket for GCx-xxxxxD series
