

GCA-B1002B

1/3" CCD Colour Camera, 650L, 230VAC



- 650 TV Lines excellent high horizontal resolution
- High Sensitivity of 0,01 Lux
- High Light Compensation (Conversion of peaklight into greyscale)
- ATR (Adaptive Tone-curve Reproduction) Pixel-to pixel based tone-curve correction optimizes the contrast of image similar to WDR. ATR mode makes low luminance area brighter and high luminance area darker.
- Power Input AC 100 - 240V

SUMMARY

Grundig Analogue DSP Cameras

High quality, reliable and effective.

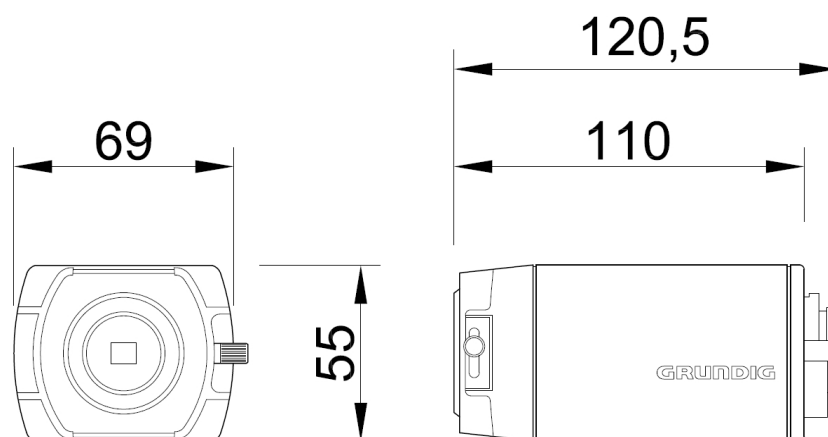
Grundig analogue cameras have been designed and built to the very highest standards. Grundig has selected components which deliver outstanding image quality, including the very best image sensors and digital signal processors (DSPs). The cameras have been designed for up-to-date surveillance applications, incorporating functionality such as extended dynamic range, digital noise reduction, high light compression and more.

All the cameras in the Grundig analogue range have unique features in different housings to suit all eventualities. Outdoor options include Bullet cameras with infrared LED and vandal-resistant domes and indoor options include a large range of dome cameras

SPECIFICATIONS

| | |
|-------------------------------|--|
| Image Sensor | 1/3" CCD Sony 960H Ex-view HAD II |
| Scanning System | PAL, 50Hz, 625L (V), 2:1 Inter Line Transfer |
| Pixels - Effective | 976(H) x 582(V) |
| Resolution | 650 (H) lines |
| Col/B&W | Auto (Electronic) / Color / B/W / External |
| Sensitivity Colour | 0.01 Lux (50IRE) @ F1.2 |
| S/N Ratio | >52dB (AGC off) |
| Lens Mount | C/CS mount with adaptor |
| Lens Drive Type | Auto iris (DC) |
| Number of Privacy Zones | 4 ea |
| High Speed Shutter | 1/50 ~ 1/10.000 sec, auto |
| BLC | BLC / HLC / off |
| AGC | Off, On (x0.25/x0.5/x0.75/x1) |
| Digital Noise Reduction (DNR) | Off, On 2D |
| Additional Features | H Reverse, High Light Compensation |
| Motion Detection | On/Off |
| OSD | Yes (DE,EN,ES,FR,RU,PT,JP) |
| Camera ID | 52 character, 2 lines |
| White Balance | ATW/PUSH/Anti CR/Manual/User 1/User 2 |
| Video Outputs | 1 CVBS (1Vpp), BNC |
| Humidity | less than 90%, non condensing |
| Operating Temperature | -10°C ~ +50°C |
| Supply Voltage | 100 ~ 240 VAC, 50/60Hz |
| Power Consumption | 3 W |
| Weight | 0.33 kg |
| Dimensions w*h*d | 69 x 55 x 120.5 mm |

DIMENSIONS



ACCESSORIES



GBR-WA03
Camera Bracket
