

GCI-K1585V

2 MP Full HD VF Dome IP-Camera ICR w/motorised lens



- Motorized Vario Focal lens (Zoom & Focus), DC Iris
- Dual Video Stream real time 25 fps, 1920 x 1080p + 720 x 576
- Day/Night feature with IR cut filter removable (ICR)
- Wide Dynamic Range (WDR), Digital Noise Reduction (DNR)
- Weatherproof Outdoor Installation (IP66)
- ONVIF protocol support
- Bidirectional Audio Support
- Power Input AC24V/DC12V and PoE

SUMMARY

Network Cameras

Intelligent, robust and stylish

IP technology greatly increases the effectiveness of video surveillance systems. Grundig has embraced this new technology and incorporated it into an extensive CCTV IP surveillance camera range.

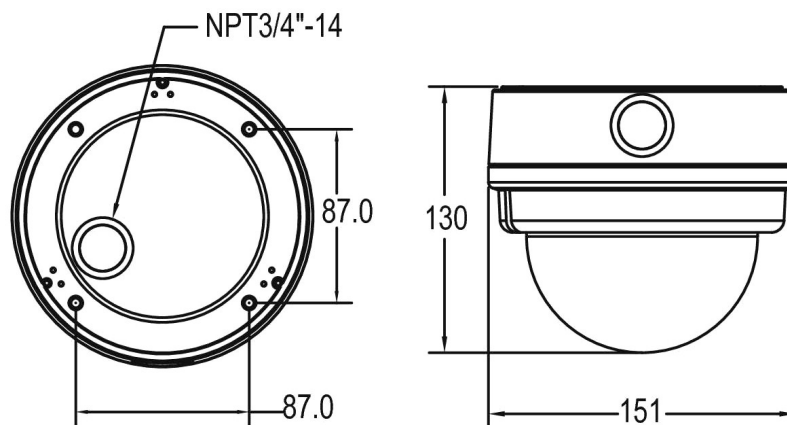
The new camera range includes PTZ and anti-vandal domes, for internal and external applications, with traditional box and specialist, compact casing designs also available. Each Grundig IP camera has impressive functionality, meeting every current surveillance requirement.

New models with motorized varifocal help the installer to reduce the cost in many ways: easy to adjust the lens, not necessary to put a ladder to adjust angle of view, night setup from remote place.

SPECIFICATIONS

Image Sensor	1/2.7" CMOS Omnivision, 2 Megapixel
Pixels - Total	1920(H) x 1080(V)
Col/B&W	On/Off/Auto, IR-cut filter removable (ICR)
Sensitivity Colour	0.2 lux @ F1.2
Focal Length	3 ~ 9 mm
Lens Drive Type	motorized Zoom & Focus, DC Auto Iris
Viewing Angle	approx. 104°(H) ~ 33°(V)
BLC	On/Off
WDR	ON/OFF
Digital Noise Reduction (DNR)	On/off 2D/3D Noise Filter
Motion Detection	On/ Off/ Sensitivity/ Area setting
Tampering Alarm	On/Off
Privacy zones	5 zones, rectangle
White Balance	ATW, Manual
Digital Zoom	Yes
Shutter Speed	1 sec to 1/10,000 sec
Alarm Inputs	1
Alarm Outputs	1
Web Browser	MS Internet Explorer 6.0 (or higher), Firefox, Google Chrome, Safari
Number of Clients	Up to 20 user
Video Compression	H.264, MJPEG
Video Resolution	Full HD 1080p/ SXGA/ HD 720p/ XGA/SVGA/ 4CIF/ VGA/ CIF
Video Streaming	Quad stream: max.: H.264+H.264+H.264+H.264 or H.264+H.264+H.264+MJPEG
Network Protocol	IPv4/v6, TCP/IP, UDP, RTP, RTSP, HTTP, HTTPS, DHCP, PPPoE, UPnP, SMTP, ICMP, IGMP, SNMP, IEEE802.1x, QoS, ONVIF, FTP
SD memory	supports up to 32 GB capacity of micro SD/SDHC memory
Alarm Event	Alarm Input, Motion Detection or Schedule: Image transfer or alarm message by FTP, Image transfer or alarm message by E-mail, recording on SD-card, enable alarm output and send HTTP notification
Audio Compression	G.726, G.711
Video Outputs	1 CVBS (1Vpp), BNC
Firmware Upgrade	Firmware upgrade by Web Browser
Configuration	Upload & Download configuration on remote PC
Input/Output sockets	Video Out(BNC), Power(3-Pin Term), RJ-45, Micro SD Card Slot, Alarm Terminal 4-Pin (Alarm In 2-Pin, Alarm Out 2-Pin photo relay 300VDC/AC), Audio (4-Pin)
Protection Rating	IP66
Operating Temperature	-10°C ~ +50°C
Humidity	10 ~ 90% no condensation
Regulation	CE, FCC, RoHS Compliant
Supply Voltage	12 VDC / 24 VAC / PoE IEEE 802.3af
Power Consumption	8,6 W
Weight	0,8 kg
Dimensions w*h*d	Ø 151 x 130 mm

DIMENSIONS



ACCESSORIES



GBR-VC02S
Smoked Bubble Cover for
Vandal-Resistant IP Dome Cameras



GBR-CM02
Corner Mount Adapter for
Vandal-Resistant IP Dome Camera



GBR-IC02
Flush-Mount Adapter for
Vandal-Resistant IP Dome Camera



GHO-M018
External housing, for vandal-resistant,
IP dome camera



GBR-WA02
Wall Bracket for Motor Dome Cameras

ACCESSORIES



GBR-CM01
Corner Mount Adapter



GBR-PM01
Pole Mount Adapter



GBR-CE01
Pendant Mount Bracket



GBR-AM02
Adapter Ring for Pelco Pendant Mount
with 1,5" NPT thread
