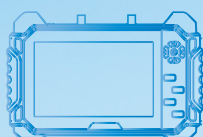


# SURVEILLANCE VIDEO TRANSMISSION SOLUTIONS



## Product Guide

- ▶ IP Transmission
- ▶ HD-Analog Transmission
- ▶ EX/HD-SDI Transmission
- ▶ Video Controllers
- ▶ Special Items
- ▶ CCTV Tester
- ▶ Smart Nurse Call



# IP Transmission

## 24-Port Integrated Slot Type IP Transmission System



### Model No.

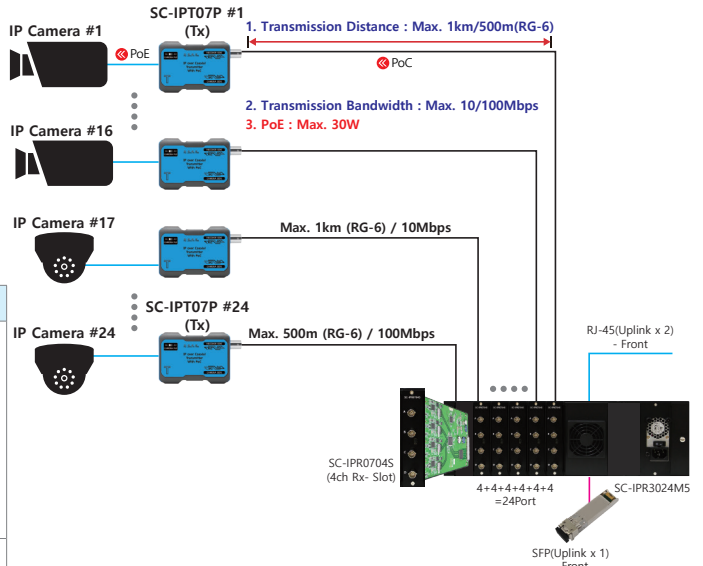
SC-IPC3024M : 24Port Integrated Slot Type IP Transmission (Hybrid possible)

### Features

- 1) EoC Rx SLOT(SC-IPR0704S), 2) UTP Rx SLOT(SC-IPR0704US)
- Hybrid combination possible up to 6 slots  
ex) EoC 16Port (SC-IPR0704S \* 4EA), 8Port EoU(SC-IPS0704US \* 2EA)
- Built-in GIGA HUB (RJ-45 \* 2PORT, SFP Port \* 1)
- LCD Display mounted on the main front body for status monitoring
- Support RS-485, SNMP(option) for remote control
- SLOT Type sub-frame rack for easy expansion and maintenance
- 4 BNC port per each SLOT (Max. 24CH)

MODEL		SC-IPC3024M5	SC-IPC3024M6	SC-IPC3024M
		[ EoC ]	[ EoU / HUB Combo type ]	[ Integrated ]
Configuration	Transmitter	SC-IPT07P * 24EA	SC-IPT07PU * 24EA	1~24EA (Hybrid possible)
	Receiver Slot	SC-IPR0704S * 6EA	SC-IPR0704US * 6EA	1~6EA (Hybrid possible)
	Main Rack	SC-IPR24RC * 1EA	SC-IPR24RC * 1EA	SC-IPR24RC * 1EA

### Application Diagram



## Ethernet + Power over One Coax, 10/100Mbps 1km



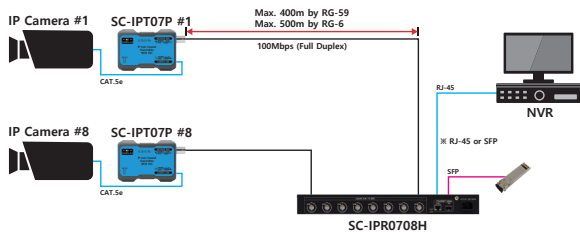
### Model No.

SC-IPT07P : 1CH Transmitter  
SC-IPT07PW : 1CH Transmitter (Waterproof Type - IP67)  
SC-IPR07P : 1CH Receiver  
SC-IPR0708H : 8CH Receiver

### Features

- Transmitting 'Ethernet data + Power(PoC)' over one coaxial cable
- Long-distance Ethernet data transmission  
- RG-59: 400m/800m(100Mbps/10Mbps)  
- RG-6: 500m/1000m(100Mbps/10Mbps)
- Built-in 10/100Mbps bandwidth switch (extension switch) for transmission bandwidth optimization by distance

### Application Diagram



## Ethernet + PoE over UTP 10/100Mbps 800m



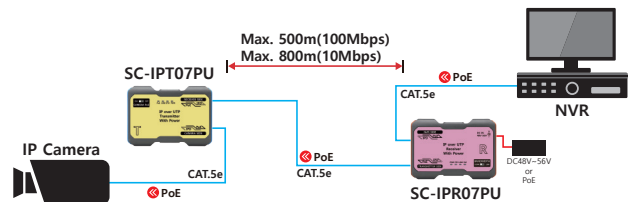
### Model No.

SC-IPT07PU : 1CH Transmitter  
SC-IPR07PU : 1CH Receiver  
SC-IPR0708HU : 8CH Receiver

### Features

- Transmission of 'Ethernet data + power (PoE)' via a UTP cable
- Built-in 10/100Mbps bandwidth switch (expansion switch) to optimize the transmission bandwidth according to distance  
- 100Mbps: max.500m(Cat.5e)  
- 10Mbps: max.800m(Cat.5e)

### Application Diagram



## Ethernet and Power over coax with Built-in-4-port PoE Hub 10/100Mbps 500m



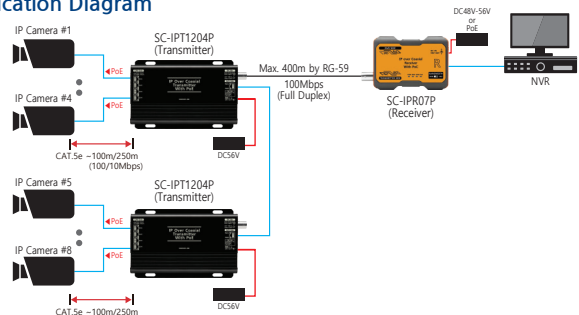
### Model No.

SC-IPT1204P : 4CH Transmitter  
SC-IPR07P : 1CH Receiver

### Features

- Transmit Network data  
Max. 500m(100Mbps) by RG-6
- Supply Max. 30W for camera operation
- Built-in 10/100Mbps switch

### Application Diagram





# IP Transmission

New

## 2-wire IP + PoE

700m



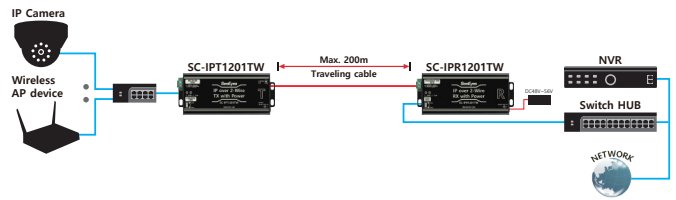
### Model No.

SC-IPT1201TW : 1CH Transmitter  
SC-IPR1201TW : 1CH Receiver

### Features

- Long-distance transmission of power and network data is possible with a 2-wire type for power and communication
- Transmission Distance (Max.) :
  - T-Cable : 200m / TP-Cable : 700m
- Possible to supply power for IP PoE camera operation (PoE Type B support)

### Application Diagram



## 1CH Network + Power Extender

10/100Mbps

100m



IP67



[Waterproof Type]

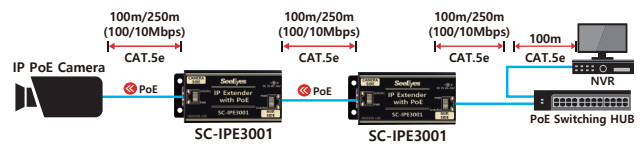
### Model No.

SC-IPE3001 : 1CH PoE Extender  
SC-IPE3001W : 1CH PoE Extender (Waterproof Type - IP67)

### Features

- Input PoE or DC Adapter(DC48~56V) Dual Power (SC-IPE3001)
- Transmit further distance with extension switch
  - 100Mbps : Max. 100m (CAT.5e)
  - 10Mbps : Max. 250m (CAT.5e)
- Able to use as a Injector (SC-IPE3001)

### Application Diagram



## 2Port Mini PoE HUB

10/100Mbps

100m



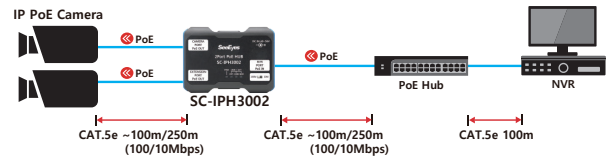
### Model No.

SC-IPH3002 : 2Port Mini PoE HUB

### Features

- Built-in PoE/PoE+ distribution per port with PoE/PoE+ input
- Able to configure 2 PoE IP cameras over 1 UTP(CAT.5e) cable
- Transmit further distance with extension switch
  - 100Mbps : Max. 100m (CAT.5e)
  - 10Mbps : Max. 250m (CAT.5e)

### Application Diagram



New

## PoE Dual Splitter (Injector & Extender)

10/100Mbps

100m



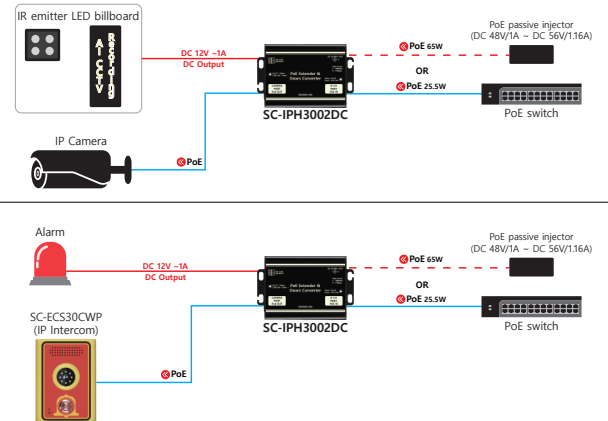
### Model No.

SC-IPH3002DC : PoE Dual Splitter (Injector & Extender)

### Features

- PoE and Ethernet data transmission distance (Max. 100 ~ 250m)
- Ethernet extender function (Ethernet data transmission distance can be extended)
- Extend the transmission distance by changing the bandwidth switch setting value (100Mbps/10Mbps)
  - Left(100Mbps) : up to 100m (based on CAT.5e)
  - Right(10Mbps) : up to 250m (based on CAT.5e)
- PoE injector function (External power input function optional)
- Supports PoE splitter function (DC 12V max. 1A Output)
- Transmission bandwidth (Max.): 10/100Mbps (Full Duplex)
- Auto MDI/MDIX function support

### Application Diagram



## 16/24Port PoE Switch HUB

10/100Mbps

100m



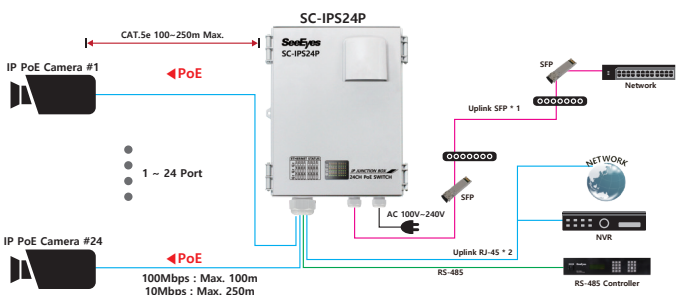
### Model No.

SC-IPS08P : 8Port PoE Switch HUB  
SC-IPS16P : 16Port PoE Switch HUB  
SC-IPS24P : 24Port PoE Switch HUB

### Features

- Giga uplink port (RJ-45\*2, SFP\*2)
- LED Display on the front, waterproof ABS case
- Supply Max. 370W for camera operation (PoE, PoE+ per port)
- Transmit further distance with extension switch
  - 100Mbps : Max. 100m (CAT.5e)
  - 10Mbps : Max. 250m (CAT.5e)

### Application Diagram

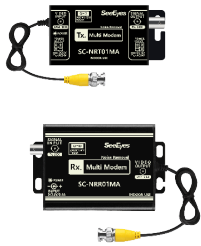




# HD Analog Transmission

New

## AHD(4M)/TVI(2M) HD-Analog Video Denoiser 500m



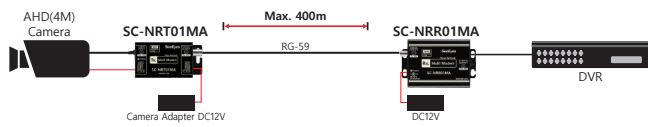
### Model No.

SC-NRT01MA : 1CH Transmitter  
SC-NRR01MA : 1CH Receiver

### Features

- Remote video signal transmission via the RG-59 coaxial cable
- Up to 500 m (based on AHD 2M/4M, TVI 2M)
- Supporting AHD 2M/4M, TVI 2M Analog resolution
- The camera adapter (AC / DC combined) can be used for both the transmitter and the camera
- Integrated harness cable for easy installation
- Built-in surge protection circuit

### Application Diagram



New

## HD-Analog (AHD/TVI) PoC + UTC 400m



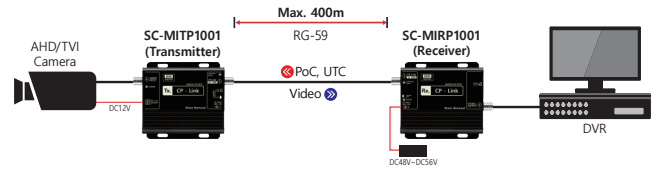
### Model No.

SC-MITP1001 : 1CH Transmitter  
SC-MIRP1001 : 1CH Receiver

### Features

- Transmitting Power + Image + UTC via one coaxial cable
- Multi-format HD Analog (AHD/TVI) signal support
- AHD/TVI (2M/4M/5M) signal support
- Images can be transmitted over an RG-59 coaxial cable
- Up to 400m
- UTC feature support
- Up to 10W power output for camera

### Application Diagram



## HD Analog Video+Power (~8W)



### Model No.

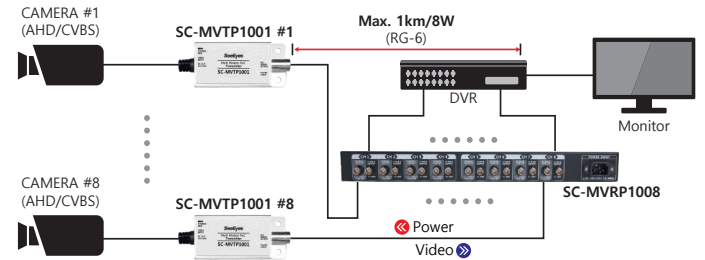
SC-MVTP1001 : 1CH Transmitter  
SC-MVRP1001/4/8 : 1/4/8CH Receiver

### Features

- 'Video+Power' transmission over one coaxial cable
- Supported transmission distance(AHD, CVBS):
- RG-6 : Max. 1km / RG-59 : Max. 700m
- Supported signal format and resolutions
- Standard Analog 1280H (1.3 Megapixel) / 960H (0.52 Megapixel)
- AHD 1080p 30/25, 720p 25/30
- High-definition video transmission with outstanding noise removal function

※ Sisters products  
- SC-NRC01M : 1CH Noise canceller

### Application Diagram



New

## HD-Analog VIDEO + PoC + UTC Transmission solution



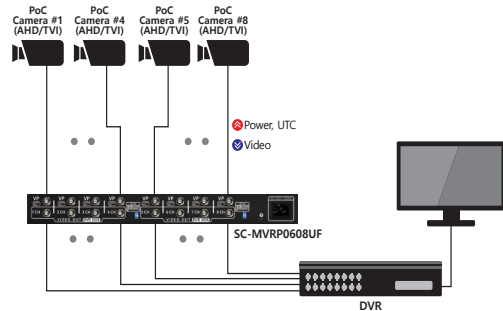
### Model No.

SC-MVTP0601UF : 1CH Transmitter  
SC-MVRP0601UF : 1CH Receiver  
SC-MVRP0604UF : 4CH Receiver  
SC-MVRP0608UF : 8CH Receiver

### Features

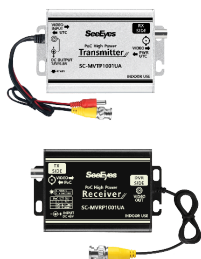
- Transmission of Power + Video + UTC in one coaxial cable
- Requires configuration with dedicated PoC camera or transmitter
- Supports up to 5.4W of power for operating the camera
- Supports AHD, TVI HD-Analog (2M/4M/5M) signals
- Depending on the camera power consumption, it can be transmitted up to 400m via RG-6 coaxial cable.

### Application Diagram



New

## HD-Analog VIDEO + PoC + UTC Transmission solution (~10W)



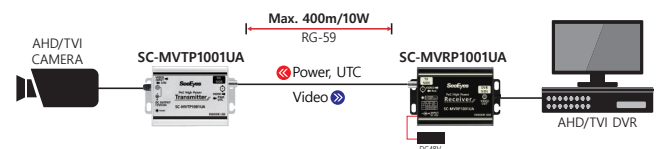
### Model No.

SC-MVTP1001UA : 1CH Transmitter  
SC-MVRP1001UA : 1CH Receiver

### Features

- Supports multi-format HD Analog (AHD/TVI) signals
- Supports AHD/TVI (2M, 4M, 5M) signals
- Power + video + UTC transmission on one coaxial cable
- Maximum 10W (12V/0.83A) output for camera
- Max. 400m transmission possible via RG-59
- Reduces piping/wiring costs as there is no need to install power cables

### Application Diagram







# HD Analog Transmission

## AHD/TVI/CVI/CVBS Multi-format UTP ACTIVE Type Data + Power Transmitter

700m



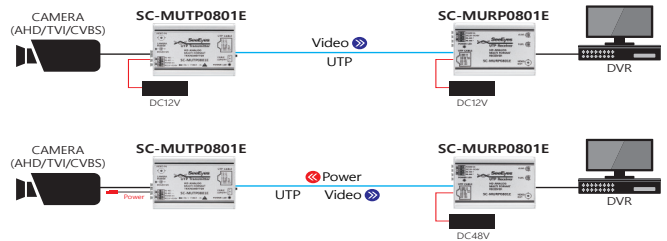
### Model No.

SC-MUTP0801E : 1CH Transmitter  
SC-MURP0801E : 1CH Receiver

### Features

- Supports multi-format HD analog signals
- Transmits video signals(CAT.5e UTP cable) :  
- Max. 700m (AHD 2M), Max. 300m (TVI 2M),  
Max. 300m (CVI 2M), Max. 700m (CVBS)
- DC 12V output for the camera power supply (Max. 12W)
- Supports standard CVBS signal (NTSC, PAL)
- Built-in surge protection circuit

### Application Diagram



## AHD/TVI/CVBS Multi-format UTP PASSIVE Transceiver

200m



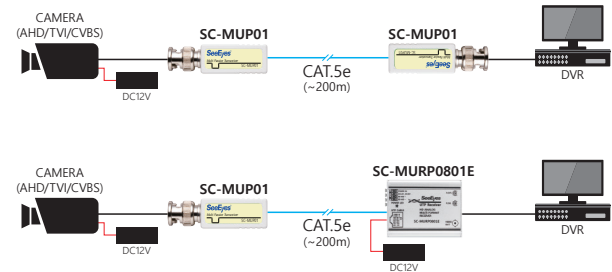
### Model No.

SC-MUP01 : 1CH Transmitter • Receiver

### Features

- Multi-format Analog HD signal Input (AHD, TVI)
- Possible to use as both a transmitter and a receiver
- Possible to transmit AHD 2.0 signal up to 250m with SeeEyes Auto UTP Active receiver (SC-MURP0801E, SC-MUR16E)
- Support standard CVBS Signal Input(NTSC, PAL)
- Surge protection circuit built-in

### Application Diagram



## HD Analog UTP Video Transmission

700m



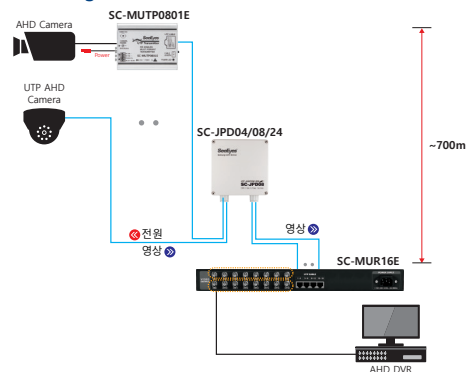
### Model No.

SC-MUR16E : 16-channel receiver

### Features

- Supports multi-format analog HD signals (FULL HD 2M, AHD, TVI, CVI)
- Excellent noise canceling
- Active 16-channel UTP receiver
- Long-distance transmission via UTP cable (CAT.5e)  
: Max. 700m transmission possible (AHD 2M standard)
- A.Level / F.Level Gain control  
Optimal video selection possible
- Minimize various noise images caused by the cable
- Standard CVBS signal support (NTSC, PAL)

### Application Diagram



## HD Analog 8M to HDMI/CVBS Converter

ULTRA HD 4K



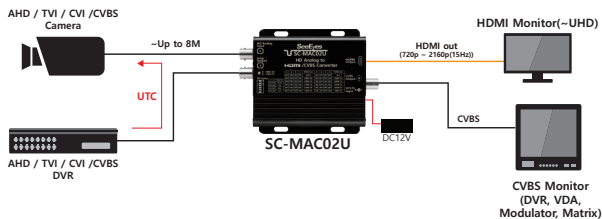
### Model No.

SC-MAC02U : 1CH HD Analog to HDMI/CVBS

### Features

- Convert 8M HD Analog(AHD/TVI/CVI 8M) and CVBS input signal into HDMI and CVBS output simultaneously
- Support various HDMI output resolution (~2160p 30Hz)
- Output resolution adjustment function (built-in up/down scaler)

### Application Diagram



## AHD/TVI/CVI/CVBS to HDMI/CVBS Converter

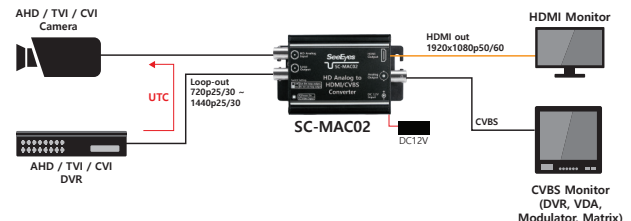
### Model No.

SC-MAC02 : 1CH HD Analog to HDMI/CVBS

### Features

- Convert 5M HD-Analog(AHD/TVI/CVI) and CVBS Input signal to HDMI and CVBS output signal
- Support UTC (Up The Coax Communication) control function through loop out port
- Existing analog video server(matrix) is available
- Monitoring is possible through HDMI out port (No need of separate monitoring device)

### Application Diagram





# HD Analog Transmission

## AHD/TVI/CVI to CVBS Converter



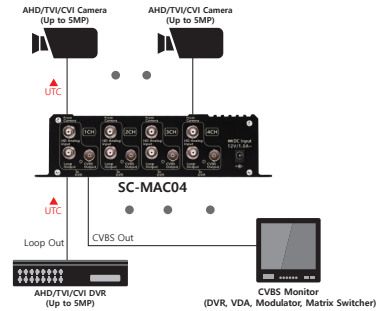
### Model No.

SC-MAC04 : 4CH HD Analog to CVBS Converter

### Features

- Receive either of AHD/TVI/CVI signal up to 5MP and converts it to CVBS signal
- Input: 4ch HD Analog
- Output: 4ch CVBS, 4ch Loop Output
- UTC (Up The COAX) communication via Loop output port
- Hybrid system of HD Analog cameras with your existing analog video server, matrix switcher or modulator for CCTV
- Signal conversion without signal loss

### Application Diagram



New

## HD/EX-SDI to AHD/TVI Converter



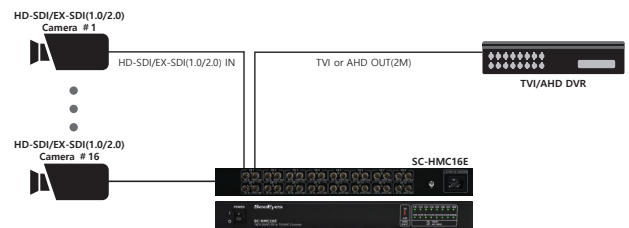
### Model No.

SC-HMC08E : HD/EX-SDI to AHD/TVI 8CH Converter  
SC-HMC16E : HD/EX-SDI to AHD/TVI 16CH Converter

### Features

- It receives HD-SDI, EX-SDI (1.0/2.0) signals, convert it to TVI/AHD signals, and output them.
- It is possible to select a signal (TVI / AHD) with the selector switch on the front panel.
- Up to 8 channels / 16 channels available for camera input and output
- 8 channel: 8-input / 8-output
- 16 channel: 16-input / 16-output
- Supported input/output resolution
- TVI: 1080p 25/30Hz, 720p 25/30Hz, 720p 50/60
- AHD: 1080p 25/30Hz

### Application Diagram



## AHD/TVI/CVI to SDI Converter



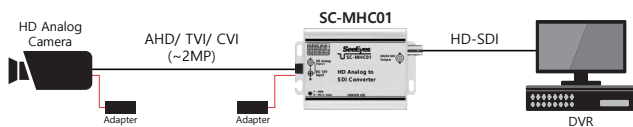
### Model No.

SC-MHC01 : HD Analog to HD/EX-SDI Converter

### Features

- Converting AHD/TVI/CVI(~2M) signal to HD/EX-SDI(1.0 / 2.0)
- Supporting resolution : 1080p 25/30Hz, 720p 25/30/60Hz

### Application Diagram



## HD/EX-SDI to AHD/TVI/CVI Converter



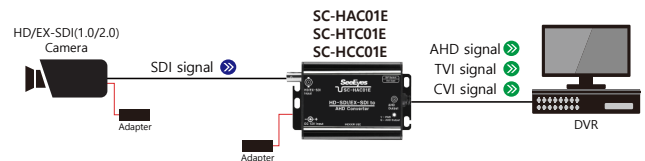
### Model No.

SC-HAC01E : HD/EX-SDI to AHD Converter  
SC-HTC01E : HD/EX-SDI to TVI Converter  
SC-HCC01E : HD/EX-SDI to CVI Converter

### Features

- Converting HD/EX-SDI signal to AHD
- Supporting resolution : 1080p 25/30Hz, 720p 25/30/50/60Hz

### Application Diagram



## HD Analog Video Distributor 1IN 4OUT / 8IN 24OUT / 1IN 16OUT



### Model No.

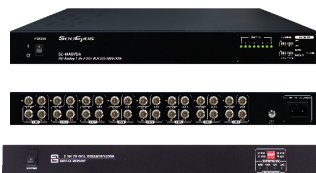
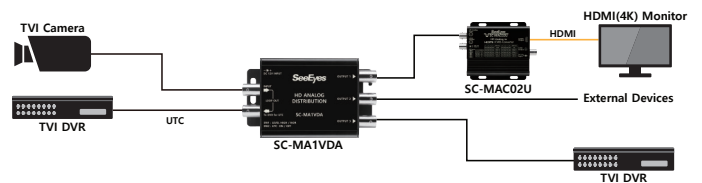
HD Analog

SC-MA1VDA : 1IN 4OUT (1CH Loopout)  
SC-MA8VDA : 8IN 24OUT  
SC-MA16VDA : 1IN 16OUT

### Features

- [ SC-MA1VDA ] - 1IN 4OUT
- 1 input / 4 output video signal distributor
- Various signal inputs and outputs (AHD, TVI, CVI, SD Analog(CVBS))
- AHD, TVI, CVI up to 8MP supported
- UTC function for HD analog signal (up to 8 MP)
- Video signal output with the same resolution as the input signal
- Video signal output without signal loss

### Application Diagram

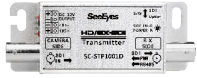




# HD/EX-SDI Transmission

## 1/4/8CH HD/EX-SDI + Power + Data

200m/400m/600m



### Model No.

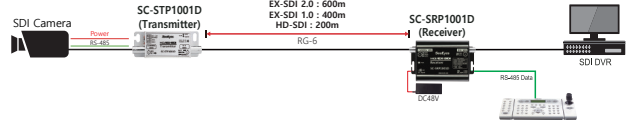
SC-STP1001D : 1CH Transmitter  
 SC-SRP1001D : 1CH Receiver  
 SC-SRP1004DH : 4CH Receiver  
 SC-SRP1008D : 8CH Receiver

### Features

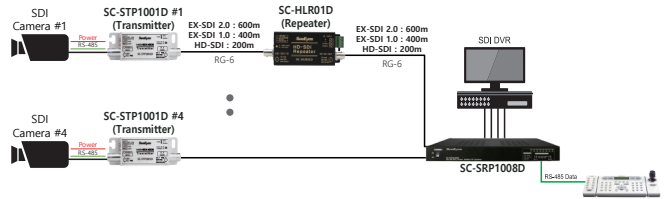
- SDI + Power + control data (RS-485 one way, UTC) transmission via 1 single coaxial cable
- HD-SDI, EX-SDI 1.0 / 2.0 / 2.1 input
- Remote transmission for EX-SDI 1.0 / 2.0 / 2.1 - EX-SDI 2.0-Basis, max.600m (with RG-6)
- Supplies an SDI camera with power (10W / DC12V)
- Self-diagnosis function for safe power transmission
- The transmission range can be extended by using a SeeEyes repeater(SC-HLR01D).
- Cost-effective and easy installation solution (30 ~ 50% cost savings)
- No expensive optical or HDMI cables required
- Built-in surge protection circuit

### Application Diagram

- SDI + Power + RS-485 data transmission over one coaxial cable



※ Supply power to SDI camera (DC12V/Max.10W)



※ If the DVR supports UTC functions, it is possible to manage PTZ and OSD menu of the camera without separate RS-485 connection.

## HD/EX-SDI Fiber Optic Transmission

1km/20km



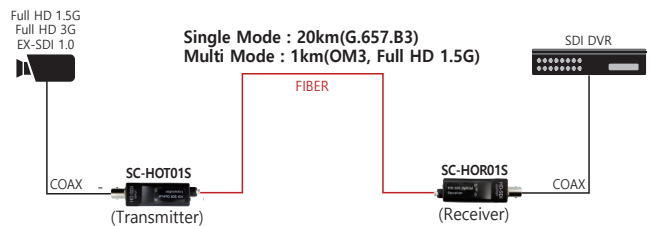
### Model No.

SC-HOT01S : 1CH Transmitter  
 SC-HOR01S : 1CH Receiver

### Features

- HD/EX-SDI long distance transmission over fiber optic cable
- 1) Single mode - 20km (G.657.B3)
- 2) Multi mode - 1km (MM50 / 125um OM3, Full HD 1.5G)
- Various input signals (Full HD 1.5G, Full HD 3G, EX-SDI 1.0)
- Dual input voltage : DC12V, AC24V

### Application Diagram



Single Mode : 20km(G.657.B3)  
 Multi Mode : 1km(OM3, Full HD 1.5G)

## HD/EX-SDI Repeater

200m/400m/600m



### Model No.

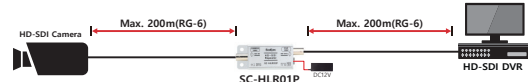
SC-HLR01P : 1CH Repeater (HD/EX-SDI + Power)

### Features

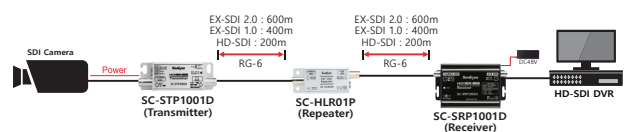
- Extend signal distance of HD-SDI, EX-SDI 1.0/2.0
- Multiple connection of Repeater for long distance transmission
- HD-SDI + Power transmission over one coax. cable
- Extend HD-SDI signal up to 200m (Full HD : 1.5G) / 100m (Full HD : 3G)
- ※ Extend additional distance by EX-LINK compliant
- Compact and light-weight aluminum case
- Built-in surge protection circuit

### Application Diagram

- HD-SDI 400m Transmission



- EX-LINK - HD-SDI + Power 800m Transmission



## SD(CVBS) to HD-SDI converter / HD-SDI to SD(CVBS) Converter

### Model No.

SC-SDHD01 : SD(CVBS) to HD-SDI Converter  
 SC-HSDS01 : HD-SDI to SD(CVBS) Converter

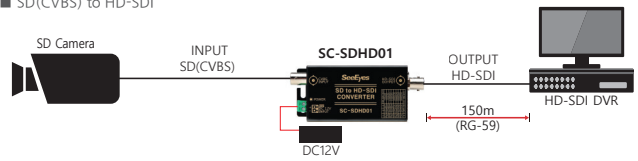
### Features

- [ SC-SDHD01 ]
- Upscales SD Analog video signals and output HD-SDI signals
  - Supports various output resolutions - 1280x720(50p, 60p) - 1920x1080(50i, 60i, 25p, 30p, 50p, 60p)
- [ SC-HSDS01 ]
- Downscales HD-SDI signals to SD Analog(CVBS) signals
  - SDI repeater supported
  - various HD-SDI input/output resolutions
  - HD-SDI signal distance amplification with built-in equalizer and reclocker

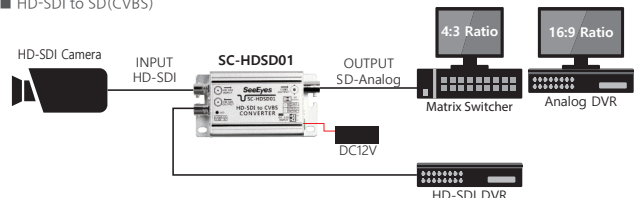


### Application Diagram

- SD(CVBS) to HD-SDI



- HD-SDI to SD(CVBS)

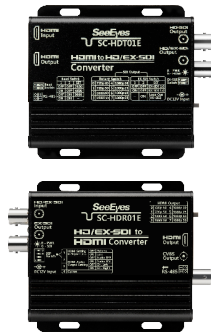




# HD/EX-SDI Transmission

## HDMI ↔ HD/EX-SDI converter (For CCTV only)

600m



### Model No.

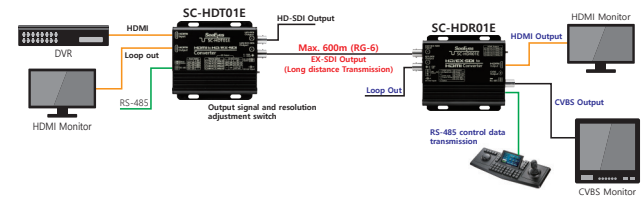
SC-HDT01E : HDMI to HD/EX-SDI Converter  
SC-HDR01E : HD/EX-SDI to HDMI Converter

### Features

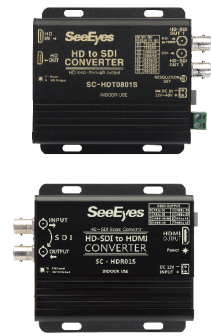
- Converting the HDMI input signals to HD-SDI, EX-SDI signals(SC-HDT01E)
- HD/EX-SDI output available at the same time
- Converting EX-SDI 1.0 / 2.0 input signals to HDMI / CVBS signal(SC-HDR01E)
- Supports various HDMI input resolutions
- HD-SDI, EX-SDI (~ 1080p60Hz)
- HDMI loop through

### Application Diagram

■ HDMI + RS-485 long transmission



## HDMI ↔ HD-SDI converter (For AV & CCTV)



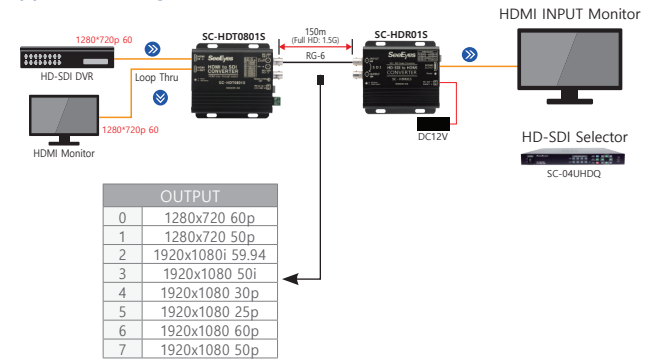
### Model No.

SC-HDT0801S : HDMI to HD-SDI  
SC-HDR01S : HD-SDI to HDMI

### Features

- Converting HDMI to HD-SDI signal(SC-HDT0801S)
- Converting HD-SDI to HDMI signal(SC-HDR01S)
- HD-SDI output resolution adjustment by rotary switch
- Max. Transmission distance(RG-6) :
  - 200m (Full HD: 1.5G), 100m (Full HD: 3G)
  - 150m (Full HD: 1.5G), 85m (Full HD: 3G)
- Surge protection

### Application Diagram



## HD-SDI to Multi / HD-SDI to CVBS / CVBS to HD-SDI Converter



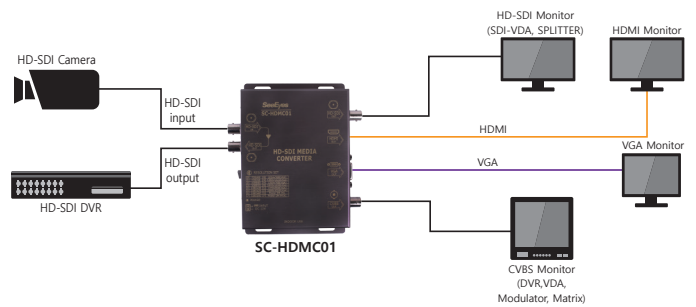
### Model No.

SC-HDMC01 : HD-SDI to Multi Converter

### Features

- Converting HD-SDI to HD-SDI(loop thru)/HDMI/VGA/CVBS signals
- HD-SDI, VGA output selectable (HDMI output is always available)
- HD-SDI, VGA output resolution selectable by rotary switch
- Various output signals
  - HD-SDI Out / Through Out (~3G)
  - HDMI Out (~1080p 60Hz)
  - VGA Out (~1600 x 1200/60Hz)
  - CVBS Out
- Surge protection circuit built-in

### Application Diagram



## HD/EX-SDI Distributor 1IN 4OUT / 8IN 32OUT



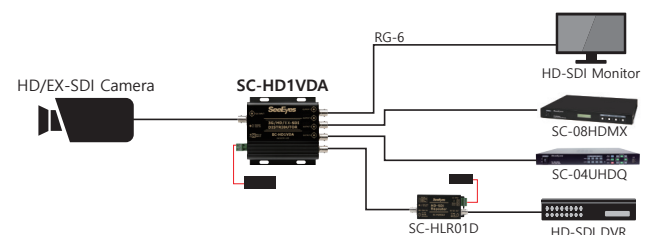
### Model No.

HD/EX-SDI  
SC-HD1VDA : 1IN 4OUT  
SC-HD8VDA : 8IN 32OUT

### Features

- For HD-SDI digital video signals 1IN/4OUT, 8IN/32OUT, 1IN/16OUT
- Various input support (Full HD: 1.5G, Full HD: 3G, EX-SDI)
- High-quality HD-SDI signal transmission with high-performance re-clocking, equalization, and cable driver
- Max. Transmission distance(RG-6) :
  - 200m (Full HD: 1.5G) / 100m (Full HD: 3G)

### Application Diagram







# VIDEO Control System

## KVM function built-in 4CH UHD Video Splitter



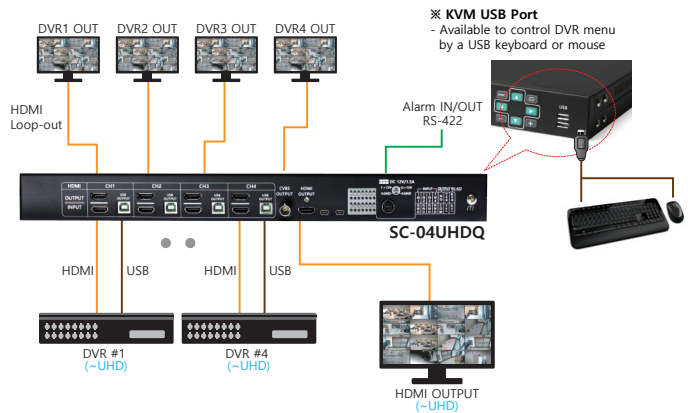
### Model No.

SC-04UHDQ : 4-channel-UHD-HDMI-video splitter

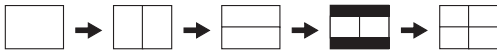
### Features

- HDMI loop-through output (same format as input signal)
- Integrated surveillance system available with DVR, NVR or PC due to the 4-channel HDMI input of the SC-04UHDQ
- Up to 4 DVR menu control via mouse or keyboard thanks to the integrated KVM function of the SC-04UHDQ
- Auto sequence function / Trimming function
- Different video output resolutions
  - 3040 x 2160 (25p, 30p)
  - 1920 x 1080 (50i, 60i, 50p, 60p)

### Application Diagram



### Split Mode



### 2-Split Mode



## UHD Analog(AHD/TVI/CVI/CVBS) 4CH Splitter

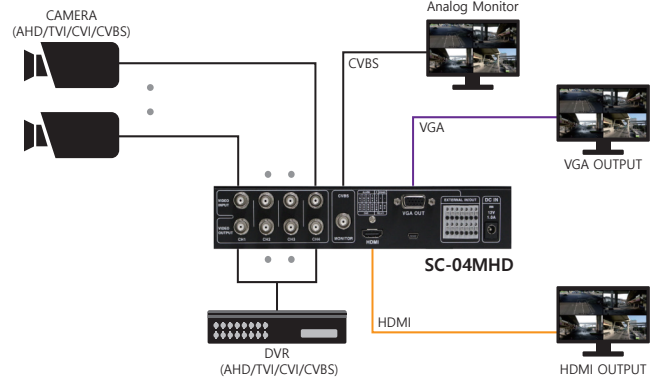
### Model No.

SC-04MHD : 4-channel-HD-Analog splitter

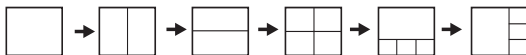
### Features

- Multiformat quad screen splitter with real time display
- Various video input : AHD/TVI/CVI(up to 4K), CVBS (NTSC/PAL)
- Various video output (HDMI, 15Pin D-Sub, CVBS, Loop through output)
- Various output resolutions
  - HDMI : 1920x1080p 25/30/50/60Hz, 1920x1080p 50/60Hz, 1280x720p 50/60Hz
  - VGA : 1920x1080p 60Hz, 1280x720p 60Hz, 1024x768@60Hz, 1360x768@60Hz, 1600x1200@60Hz
  - CVBS : NTSC, PAL

### Application Diagram



### Split Mode



### 2-Split Mode



## HD/EX-SDI UHD 4CH Splitter



### Model No.

SC-HD04SQ : 4-channel-SDI splitter

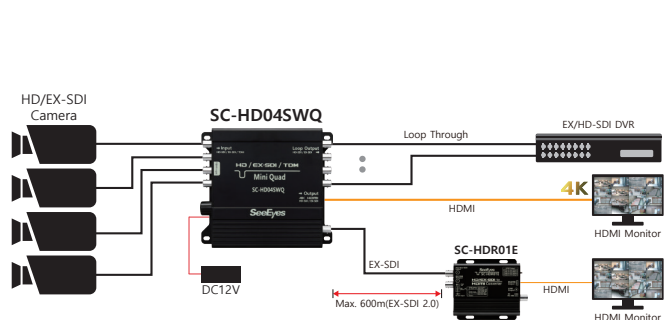
### Features

- 4CH HD/EX-SDI input / HD/EX-SDI, HDMI output (support Loop Out)
- Split function : Full Quad
- Real-time display for 4 input cameras
- Support EX-SDI 1.0/2.0, TDM-SDI, HD-SDI signals
- Auto Sequence function

### Split Mode



### Application Diagram





# Special Items

## Emergency Bell with Built-in Interactive Voice Communication



[ Wall mount ] [ Waterproof type ]

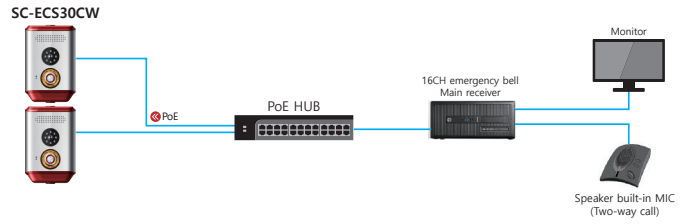
### Model No.

SC-ECS30CW : IP Emergency Bell  
 SC-ECS30CWP : IP Emergency Bell (Waterproof type IP65)

### Features

- High sensitivity microphone and 3W speaker
- Echo-canceler
- Clear sound without echo and howling
- Built-in 2 megapixel (1920x1080) high-definition camera
- Red LED button for easy recognizing
- Built-in light bar, IR LED for night-time monitoring

### Application Diagram



New

## Emergency door access control intercom



[ EM-Lock ]

[ EM-Lock Switch ]

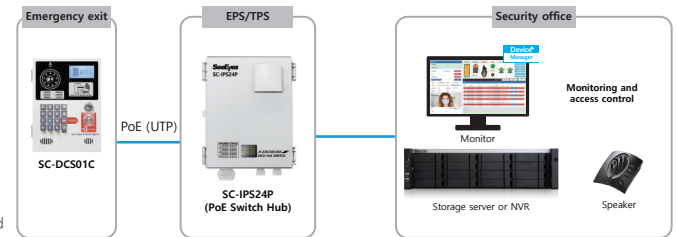
### Model No.

SC-DCS01C : door access control (With FHD Camera)  
 SC-DCS01N : door access control (Non Camera)

### Features

- 2 megapixel (1920\*1080) camera mounted on emergency door access control device (SC-DCS01C)
- Built-in IR LED for night monitoring (SC-DCS01C)
- Two-way high-quality real-time call function
- Access control using short-range wireless NFC communication
- LCD status indicator - Door open/close, etc.
- Robust mechanical metal keypad - Built-in LED keypad for easy night operation

### Application Diagram



New

## Touch Screen Network Phone



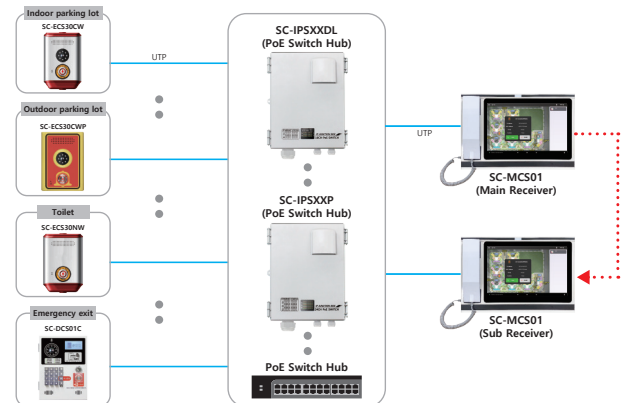
### Model No.

SC-MCS01 : Touch Screen Network Phone

### Features

- 10.1 inch wide angle LCD panel
- TFT-LCD tempered glass / Capacitive touch screen
- Two-way video and voice calls are possible with emergency bells and emergency door access control
- Video + Audio : SC-ECS30CW/CWP, SC-DCS01C
- Voice : SC-ECS30NW/NWP, SC-DCS01N
- Add SC-MCS01 to automatically switch calls when absent
- Storing and managing call history
- Installation location management via E-MAP

### Application Diagram



## Coax. / UTP Surge Protector



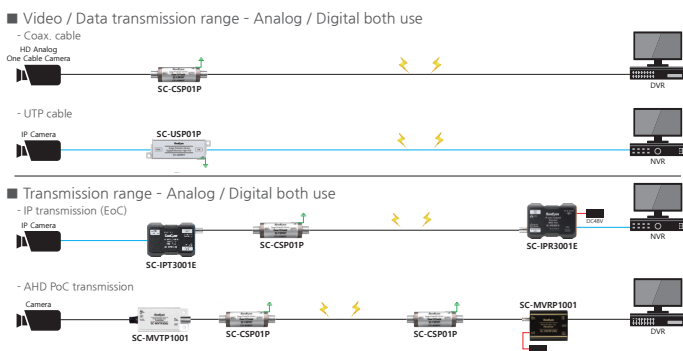
### Model No.

SC-CSP01P : Surge protector for Coax.  
 SC-USP01P : Surge protector for UTP

### Features

- Various CCTV video formats (IP, EX-SDI, AHD, TVI, CVI, CVBS)
- Compact size for easy installation in narrow spaces
- Support PoC (SC-CSP01P)
- Support PoE/PoE+ and Gigabit Ethernet (SC-USP01P)

### Application Diagram



## CCTV DC Power Supplier



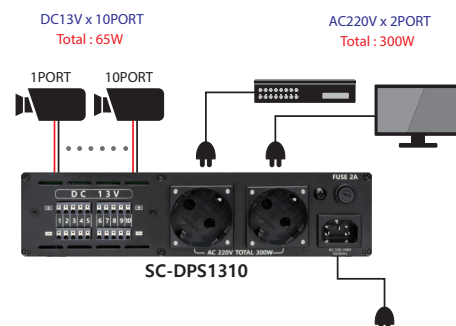
### Model No.

SC-DPS1310 : 10Port power supplier

### Features

- Up to DC13V/1.4A output per channel (total Max. 65W)
- Supply power to camera sequentially when power is
- In overcurrent, only corresponding channel is shut off
- 2 AC ports

### Application Diagram





# CCTV Tester

## Multiformat IP Test Monitor



Touch Screen



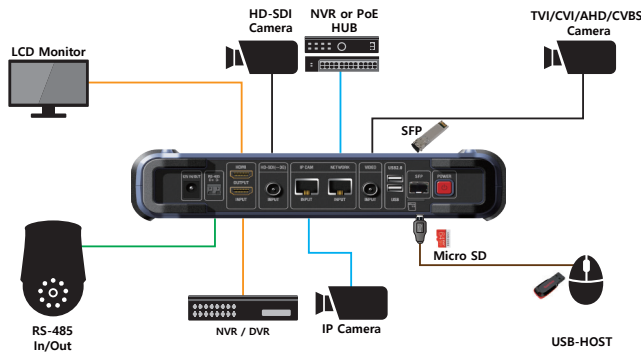
Model No.

SC-IPM07PRO : Professional IP Multi-format Test Monitor

### Features

- Support H.264/H.265 Codec
- 10/100/1000Mbps Giga Bandwidth
- SFP Port
- EX-SDI 2.0/TDM Input
- 4K Resolution (HDMI Input)
- Cable Test (Coax./UTP)
- AHD,TVI,CVI UTC Control
- Level Meter Function (AHD, TVI, CVI, CVBS, EX-SDI, HD-SDI, 3G-SDI)
- Focus Meter Function (AHD, TVI, CVI, CVBS, EX-SDI, HD-SDI, 3G-SDI)
- 7" High Resolution (1920\*1200) TFT-LCD Tempered Glass
- Support Various Video Signal (HD-Analog 8M, CVBS, EX-SDI, HD-SDI, 3G-SDI, HDMI)
- Anti-finger Coating
- Support IP Camera Viewer, Search, Scan, Ping Test, Address Setting by one App.
- Power Supply to Operate Camera (DC12V/1A)
- Packet Generator, Send & Receive Packet
- RS-485 Communication (Support Various Protocol)
- Support PoE (40W)
- SDI PoC Output (Option)
- Video Recording & Snapshot (IP, AHD, TVI, CVI, CVBS, EX-SDI, HD-SDI, 3G-SDI)
- Support USB Wireless Network USB DONGLE Provided
- Optical Bonding

### Application Diagram



## Multiformat Test Monitor



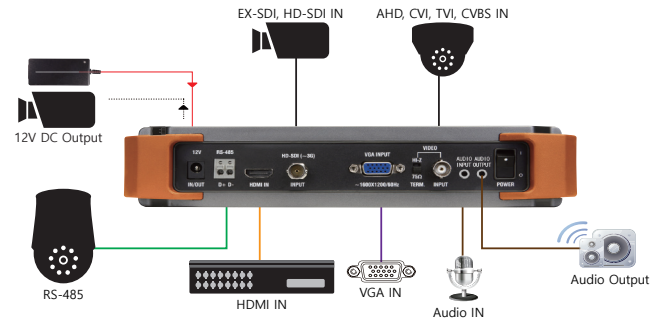
Model No.

SC-MFM07HD : Multi-format Test Monitor

### Features

- 7" high resolution TFT-LCD HD Panel (LED Back Light)
- Supporting various input signals
  - 1) HD-SDI Input (Full HD)
  - 2) EX-SDI 1.0/2.0, TDM-SDI Input
  - 3) HDMI Input (~1080P 60Hz)
  - 4) VGA Input (~1600 X 1200/60Hz) UXGA
  - 5) CVBS Input
  - 6) Analog HD Input (AHD, TVI, CVI)
- Built-in Signal Level Meter, CRC Data Error Count function (HD-SDI, EX-SDI)
- Analog HD (UTC), CVBS Up the Coaxial Communication
- PTZ and OSD control (RS-485) / RS-485 Analyzer function
- Audio line Input, Output (3.5Ø Earphone Jack)
- Supplying power to the camera (Max. DC12V / 500mA Output)
- Guideline indicator to adjust camera viewing angles
- High capacity Li-polymer battery lasting up to 6~8 hours
- Light weight tempered glass

### Application Diagram



## Portable Cable Tester (Coax. / UTP)

Model No.

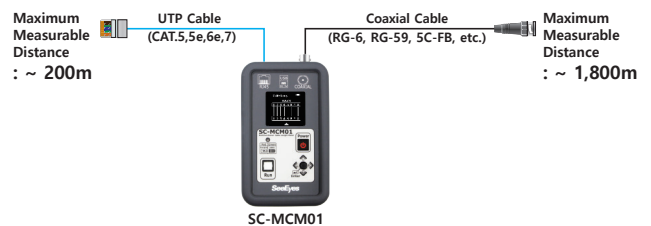
SC-MCM01 : Coax./UTP Portable Cable Tester  
 SC-TG01 : BNC Accessory  
 SC-TG02 : RJ-45 Accessory

### Features

- Coax. / UTP cable tester
  - Cable length and Mapping, Open, Short status check
- Measuring Coax. cable up to 1.8km, UTP cable up to 200m
  - Measure UTP cable up to 600m with TG02 (1p)
- Cable loop resistance measurement function
- Calibration function
  - add the measurements of your own cable data
  - Max. storable cable data : Coax. 8, UTP 8
- Built-in rechargeable battery for up to 3 hours in continuous use
- Built-in basic cable data (Coax. : 8 types, UTP : 4 types)

### Application Diagram

- In Case of UTP / Coaxial Cable
  - Length, cable map, open/short status check





# SMART NURSE CALL

New

## Nurse Call / Call Code



[ SC-NCPB ]



[ SC-NCPE ]

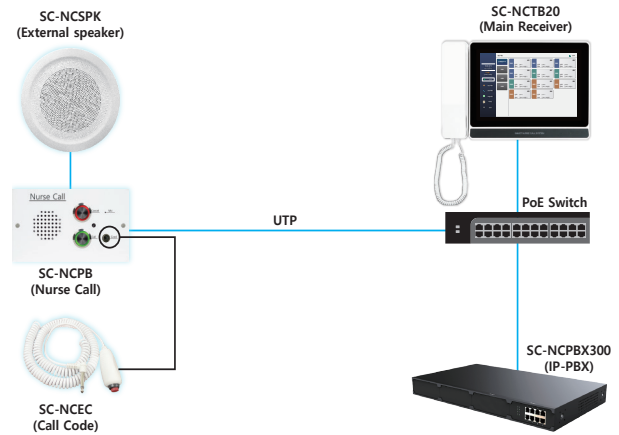
### Model No.

SC-NCPB : Nurse Call - 2Button Type  
SC-NCPE : Nurse Call - 3Button Type  
SC-NCEC : Call Code

### Features

- Based on VoIP / SIP
- Communication to the nurse station/desk
- Emergency call for various situations
- Compatible with the call code (SC-NCPB)
- Magnetism call for negative pressure room solution (SC-NCPE)
- Built-in audio amplifier that can be connected to the external speakers (SC-NCPBA/SC-NCPEA)
- Supports automatic forwarding function when the receiver is absent (SC-NCPE)
- Possible to install the console as a flush-mounted (built-in) product
- Built-in waterproof& durable LED switch
- Button-type switch with high stability
- Digital microphone with built-in echo canceller
- PoE function support

### Application Diagram



New

## Non Contacting Motion Call



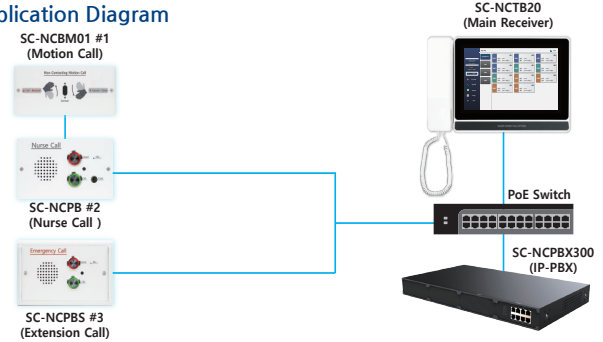
### Model No.

SC-NCBM01 : Non Contacting Motion Call

### Features

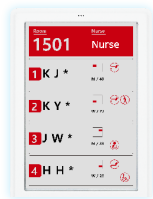
- Infrared motion sensor
- Can recognize a motion within 5 ~ 15cm from the motion sensor
- Non-contact switch function
- Call: swing your hand up
- Cancel: swing your hand down
- Up/down switch contact output function according to motion status
- Buzzer sound according to hand gestures

### Application Diagram



New

## E-TAG(Smart ID Card)



[ SC-ETAG11RW/E ]



[ SC-ETAG5RW/E ]

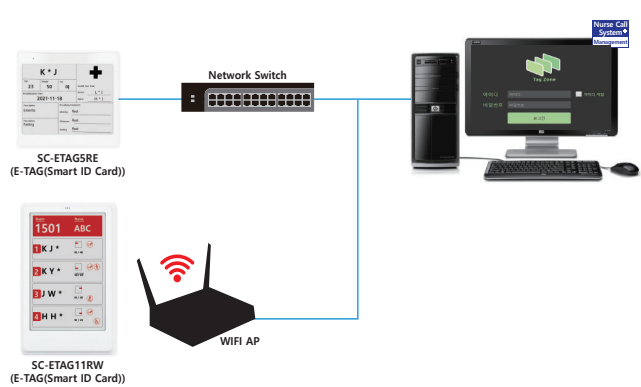
### Model No.

SC-ETAG5RW : E-TAG(5.83inch) - WIFI Model  
SC-ETAG5RE : E-TAG(5.83inch) - Ethernet Model  
SC-ETAG11RW : E-TAG(11.6inch) - WIFI Model  
SC-ETAG11RE : E-TAG(11.6inch) - Ethernet Model

### Features

- 5.83inch/11.6inch e-ink display panel
- WIFI/Ethernet communication method support
- WIFI method: SC-ETAG5RW / SC-ETAG11RW
- Ethernet method: SC-ETAG5RE / SC-ETAG11RE
- PoE af/at support
- Supports DC 5V external power input function
- Semi-permanent display (possible to erase/write more than 100,000 times)
- Supports E-TAG LED status display
- BLE Scanner function support (medical IoT device)
- Support for iBeacon and No-iBeacon communication standards
- Web Page support for E-TAG setting

### Application Diagram



New

## Smart Nurse Call Main Receiver



### Model No.

SC-NCTB20 : Smart Nurse Call Main Receiver

### Features

- 10.1 inch wide viewing angle LCD PANEL
- TFT-LCD tempered glass / capacitive touch panel
- Automatic device search and registration possible by communicating with IP-PBX
- Adjustable angle (30 degrees when using a cradle)
- Built-in echo canceller
- Provides clear sound without echo and howling
- Intuitive GUI (Graphical User Interface)
- Bulletin board can be created and checked
- PoE function support

### Application Diagram

